



Construction

Removing dust from the workplace is not just a working environment and health issue. It is also a business issue. The cleaner the working environment, the better the end result. We call it 'Healthy Business'.

Dustcontrol - Technology for Healthy Business

Removing dust from the workplace is not just a working environment and health issue. It is also a business issue. The cleaner the working environment, the better the end result. We call it "Healthy Business".

What we offer

Dustcontrol manufactures mobile dust extractors for industrial and construction use, fixed extraction systems, peripheral equipment and accessories. We help companies all over the world to achieve a cleaner working environment, and our development department and production facilities are located in Sweden.

Using one of our solutions, you can extract dust, fumes, chips, oil spillages and other harmful substances, right at their source. The result is efficient production, in many areas. A healthy working environment results in less absence due to illness, more efficient production, less downtime and better production quality.

You will find us in many different types of industries where a clean working environment is necessary. Dustcontrol supplies a complete range of products and accessories for small and large companies alike. For example, we supply advanced cleanroom solutions for the pharmaceutical and electronics industries, mobile dust extractors of various sizes for construction and rental companies, and central extraction systems for the automotive and newspaper printing industries.

All of our systems are unique and tailored to each individual company's specific requirements.



Customer Focus

Dustcontrol was founded in 1972, with the idea of manufacturing extraction systems to capture dust and other pollutants at the source. We work closely with our customers, which means that we are always up to date regarding the requirements, regulations and working conditions in different types of workplace. We supply products that meet these ever-changing needs.

But it is not only products that we provide. We also provide the answers to questions such as: How can you capture and extract different kinds of particles and pollutants in the best possible way for your business? How do you deal with waste that can be recycled or reused?

With Dustcontrol as your business partner, you will get the answers to these and any other questions that you may have. Whatever the conditions, we develop a source extraction solution that is right for you and your business.

Service & Expertise

Our sales organization comprises experienced technicians with specialized skills in their areas of expertise. If you need a mobile solution, we will come to your site and show you how it works. In the case of stationary installations, we can design and size the entire system to fully match your needs. We can take care of installation, commissioning and documentation, as well as planning a maintenance and service schedule.

We offer a complete service package, including accessories and spare parts. We manufacture and customize portable dust extractors with very high levels of filtration, in which we use our proprietary filters that have set the industry standard.

All our mobile machines are equipped with a fine filter and a HEPA filter that clean the exhaust air to 99.995%. These high-efficiency filters also have a long service life, which not only results in cleaner air, but also low filter costs.

As well as being responsible for delivery and installation, our project managers also train the personnel who will be working with our products and systems. In most countries, we have our own team of qualified installers with in-depth knowledge of our products.

With the help of Dustcontrol, you will achieve both a cleaner working environment and a healthy business.



Dustcontrol Group

140 employees.

Founded in 1972.

Head office and factory in Norsborg, Stockholm.

The company is family-owned.

Subsidiaries in The United Kingdom, Germany,

Austria, USA and Finland.

Distributors in Europe, Asia, Australia and North & South America

Dustcontrol Worldwide



AT
Dustcontrol Ges.m.b.H.
Gradnerstrasse 120-124
AT-8054 Graz
Telephone : +43 316 428 081
info@dustcontrol.at
www.dustcontrol.at



AU
Archquip
- All Preparation Equipment
130 Lytton Rd
AU-4171 Bulimba QLD
Telephone: +61 7 3217 9877
www.allpreparationequipment.com.au



BENELUX
Dust solutions BV
Eiffelstraat 44
8013 RT Zwolle
Telephone: +31(0)38-2020154
Fax:+31(0)38-2020157



BGR
Metaltech14 Ltd
7 Parva str
4207 Kadievo
Telephone +359 888 255 102
+359 889 999 593
metaltex14@abv.bg
www.dustcontrolbg.com



CA
Dustcontrol Canada Inc.
664 Welham Road
CA-Barrie, Ontario L4N 9A1
Telephone: +1 877 844 8784
info@dustcontrol.ca
www.dustcontrol.ca



CH
Rosset Technik
Maschinen Werkzeuge AG
Ebersmoos
CH-6204 Sempach-Stadt
Telephone: +41 41 462 50 70
info@rosset-technik.ch
www.rosset-technik.ch



CHN
Suzhou Dustcollect Filtration Technology Co. Ltd.
Room 218, Building B, No.1368
Wuzhong Avenue, Wuzhong District,
Suzhou City, Jiangsu Province, China
Telephone +86 180 6800 0359
wang@dustcollect.cn
www.dustcollect.cn



DE
Dustcontrol GmbH
Siedlerstraße 2
DE-71126 Gäufelden-
Nebringen
Telephone: +49 70 32-97 56 0
info@dustcontrol.de
www.dustcontrol.de



DK
Erenfred Pedersen A/S
- Construction
Rebslagervej 7
DK-9000 Aalborg
Telephone: +45 98 13 77 22
info@ep.dk
www.ep.dk



EE
G-Color Baltic OÜ
Ülase 13
EE-10613 Tallinn
Telephone: +372 682 5919
sales@g-color.ee
www.g-color.ee



ES
Barin, s.a.
C/ Cañamarejo, No 1
Poligono Industrial
Rio de Janeiro
ES-28110 Algete - Madrid
Telephone: +34 91 6281428
info@barin.es
www.barin.es



FI
Dustcontrol FIN OY
Valuraudankuja 6
FI-00700 Helsinki
Telephone: +358 9-682 4330
dc@dustcontrol.fi
www.dustcontrol.fi



FR
SMH Equipements
- Construction
Lieu Dit « La Fontaine »
FR-28630 Berchères Les Pierres
Telephone: +33 (0)2 37 26 00 25
info@abequipements.com
www.smhequipements.com



HU
Vandras Kft
Kossuth L. u. 65 III.29
HU-1211 Budapest
Telephone: +36-1-427-0322
Mobile: +36-20-9310-349
vandras@t-online.hu
www.vandras.hu



IN
Advance Ventilation Private Ltd.
610.P.P.Towers
C-1.2.3 Netaji Subhash Place
IN-Pitampura, New Delhi-110 034
Telephone: +91 11 273 557 95
sales@advanceventilation.com
www.advanceventilation.com



IRN
BioMedoc International Group
Rutherford House, Pencroft way,
Manchester Science Park,
Manchester, M15 6SZ, UK
Telephone: +44 161 820 8441
dr.bohloli@biomedoc.com
www.biomedoc.com



IT
Airum srl
via Maestri del Lavoro 18
Roveri-2
IT - 40138 Bologna
Telephone: +39 (0)516 025 072
info@airum.com
www.airum.com



KR
E. S. H Engineering Co.
671-267 Sungsu1ga 1dong
Sungdonggu (P.O)133-112
KR-Seoul Korea
Telephone: +82 (0)2 466 7966
k.u.lee@hanmail.net
www.esheng.co.kr



LT
UAB Hidromega
Mainų g. 23
LT - 94101 Klaipėda
Telephone: +370 677 10254
info@hidromega.lt
www.hidromega.lt



LV
SIA Reaktivs
Rigas iela 113,
Salapils, LV-2169
Telephone: +371 20282200
reaktivs@reaktivs.lv
www.reaktivs.lv



MY, ID
Blöndal Ståda (M) Sdn. Bhd.
Blöndal Building, Jalan Penyair,
Section U1, Off jalan Glenmarie,
MY-40150 Shah Alam
Telephone: +603 -5569 1006
info@stada.com.my
www.stada.com.my



NO
Teijo Norge A.S
Husebysletta 21
Postboks 561
NO-3412 Lierstranda
Telephone: +47 3222 6565
firmapost@teijo.no
www.teijo.no



PE
Efixo
Calle 3 MZ. N LT. 15
Parque Industrial El Asesor
Ate, Lima, PE – Perú
Telephone: (0051) 583-8541
Cell: (0051) 968-140-066
Email: contacto@efixo.pe
http://www.efixo.pe



PL
Bart Sp. z. o.o.
ul. Będzińska 41/1
PL-41-205 Sosnowiec
Telephone: +48 32 256 22 33
info@bart-vent.pl
www.bart-vent.pl



PT
Metec-Mecano Técnica, Lda.
Campo Pequeno, 38
PT-1000-080 Lisboa
Telephone: +351 21 7970291
geral@metec.pt
www.metec.pt



RU
SovPlym Ltd
Revolution Highway, 102-2
RU-195279, St Petersburg
Telephone: +7-812-33-500-33
kia@sovplym.spb.ru
www.sovplym.com



SE
Dustcontrol AB
Box 3088
Kumla Gärdsväg 14
SE-145 03 Norsborg
Telephone: +46 8 531 940 00
support@dustcontrol.se
www.dustcontrol.com



SG
Blondal (S) Pte Ltd
52 Ubi Ave 3
Frontier Building
#03-29
SG-Singapore 408867
Telephone: +65 6741 7277
Info@stada.com.my
www.stada.com.my



TR
Ventek Mühendislik Ltd
Adnan Kahveci Bulvari
Ünverdi İş merkezi Nr 73
Dr: 30 Bahçelievler
TR-Istanbul
Telephone: +90 212 4415596-97
info@ventek.com.tr
www.ventek.com.tr



UAE
Global Enterprises Trading Co L.L.C.
P O Box 27914
Mussafah No. M9, Plot 50
AE-Abu Dhabi
Telephone: +971-2-555 4733
sales@globalentco.com
www.globalentco.com



UK
Dustcontrol UK Ltd.
7 Beaufort Court, Knowlhill,
Milton Keynes MK5 8HL
England - GB
Telephone: +44 1327 858001
sales@dustcontrol.co.uk
www.dustcontrol.co.uk



US
Dustcontrol Inc.
6720 Amsterdam Way
US-Wilmington NC 28405
Telephone: +1 910-395-1808
sales@dustcontrolusa.com
www.dustcontrol.us

Index

Machines for Every Job	5-6	Hose Sets, Characteristics of Materials	52
Choose the Right Machine	7-8	Dustcontrol Pre-Separators	29-32
	10-13	DC F 8000 & DC F 60	30
		DC F 2800/3900	31
DC 1800	10	DC Cyclone Separator Cover	31
DC 2900c	11	DC F Wheelbarrow	32
DC 2900a	11	DC F Tipping Container	32
	12		
	13	Important Information	33-36
	11-16	The Most Dangerous Dust is the Dust You Can't See	33-34
Capture Dust with Source Extraction	16-17	Classification of Dust Extractors & HEPA Filters	35-36
DC 3900L Twin	13		
DC 3900c Twin	13	Accessories	37-58
DC 3900c Turbo	14	Cleaning Accessories Ø38 mm /1,5"	38
DC3900c Twin Turbo	14	Cleaning Accessories Ø50 mm /2"	39
DC Tromb 400a/c/L	15-16	Cleaning Accessories Ø76 mm /3"	40
		Suction Casings	41-48
		Find the Right Suction Casing	42
	17-20	Suction Casing Kit for Fibre Discs	43
DC 5900L	18	Suction Casing Kit for Diamond Cup	44
DC 5900a	18	Grinding Discs	44
DC 5900 L 7.5kW/10hp	20	Suction Casing Kit for Depressed Centre Discs, Abrasive Discs and Diamond Discs	45
DC 5900 9.2kW/ 15hp P	20	Suction Casing Kit for Abrasive Cup Stone	46
		Hammer Drills, Chisels and Breakers	47
		Spare Parts for Suction Casings	48
Overview of Dust Extractors	21-22		
Semi-Mobile Systems	23-24	Hoses, Couplings & Connecting Sleeves	49-52
		About our Suction Hoses	49
		Turnable/non-Turnable Hose Connectors	50
		Turnable/Non-Turnable Connectors for PU Suction Hoses, Suction Hose Quick Couplers, Multi-Connection for Handheld Power Tools with Integrated Suction Casings.	51
Dustcontrol Air Cleaners	25-26		
DC AirCube 500	25		
DC AirCube 1200/2000	26		
Dustcontrol Decontamination Box	27-28		
		Filters	53-56
		Filter types, filters for DC 1800, DC 2900, DC 3800 Wood Shavings Extractor	53
		Filters for DC Tromb 400, DC 3900 Series & DC 4000 PCB, DC 5900 Series, DC AirCube Series	54
		Filters for Earlier Models	55-56
		"DC 2500i, DC 2500, DC 2500 Twin, DC 2700c, DC 2700i, DC 2800 c, DC 2800 c Rental, DC 3700c, DC 3800a/c, DC 3800c Turbo, DC 3800 Turbo EX, DC 3800c Twin DC 3800 TR S, DC 3800i, DC 3800 Stationary"	55
		DC 3500, DC 3500 TR, DC 3500 Stationary, DC 5500, DC 5500i, DC 3500i, DC 5700c, DC 5800 a/c 5 kW, DC 5800 a/c PTFE, Air cleaners DC 380/DC 1500/DC AirCube	56
		Sacks	57
		Other Information	59-60
		Would you like to know more?	59
		Dustcontrol's Environmental and Quality Policy	60

Machines for every ⚡💣!☠️🔥# job

No matter who you are and what type of work you are involved in, we have exactly the right machines for you and the job that you do. Small and agile or big and powerful? Only you know which Dustcontrol machine is the right one for you.



Carpenter

Construction Worker

Decontamination and Abatement Specialist

Floor Finisher

Painter

Drilling Specialist

Choose the Right Machine

When large quantities of dust are produced, we recommend a pre-separator

Task or tool

Drilling
Jig saw
Abrasive disc Ø125mm/5"
Fibre disc Ø125mm/5"
Cleaning Ø38mm/1,5"
Small crosscut and mitre saw, jackhammer

Reciprocating saw
Depressed centre disc Ø125mm/5"
Wall sander Ø125mm/5"
Oscillating machine
Personal decontamination

Single-phase, single-motor dust extractor

DC 1800 eco
The DC 1800 is a high-quality, compact version of our best-selling DC 2900. It combines ease of use with a large suction capacity and high level of filtration.

DC 2900 eco
A small, lightweight dust extractor that can handle tough conditions. Equipped with a cyclone inlet, reverse pulse filter cleaning and separate HEPA filter.



DC F 2800



DC F 60



DC 1800



DC 1800 XL



DC 2900c

Task or tool

Depressed centre disc Ø230mm/9"
Grooving saw 2xØ150mm/6"
Jackhammer
Circular saw
Concrete floor grinding max 500 mm/19"
Abrasive disc 300mm/12"

Abrasive disc Ø230mm/9"
Concrete milling machine
Chipping hammer
Cleaning Ø50mm/2"
Filler sanding

Single-phase, twin-motor dust extractor

DC Tromb 400, compact, powerful, robust and efficient. **DC 3900 Twin**, integrated pre-separator, the floor finishers' favourite, handles large quantities of dust.

Three-phase dust extractor
DC 3900 Turbo, continuous operation with long hose.



DC F 3900



DC 3900 Twin L



DC Tromb 400 L

Task or tool

Concrete floor grinding 850mm/33,5"
Abrasive disc Ø300mm/12"
Suction lance Ø76mm/3"
Concrete milling machine
Material transport
Semi-mobile system

Depressed centre disc Ø300mm/12"
Brick saw Ø400mm/16"
Cleaning Ø50mm/2"

Three-phase dust extractor

DC 5900 7,5 kW/10hp or 9.2 kW/15hp
The DC 5900c is available in two models, both built for those heavier tasks. The "S" model provides extra powerful suction for use with long hoses and in conjunction with the collection of large quantities of material in a pre-separator. The "P" model provides airflow for several users at the same time in a so-called semi-mobile system (see image).



DC F 8000



DC F Wheelbarrow



DC 5900 L 7,5kW/10hp

Task or tool

Jackhammering, wall sanding, concrete grinding, demolition work, kitchen and bathroom renovation, and other construction work.

Air cleaner

DC AirCube 500, DC AirCube 1200 and DC AirCube 2000
Cleans the air in the workplace. Air cleaners are used as a complement to source extraction in very dusty environments. Recommended air change is 10 times per hour minimum.



DC AirCube 500



DC AirCube 1200



DC AirCube 2000



Dust class H (degree of permeability $\leq 0.005\%$) for particles as small as 0.1 mg/m^3 and carcinogenic particles. According to IEC/EU 60335-2-69

DC 1800

Light and easy to use

This machine is particularly suitable for general cleaning and source extraction from handheld power tools (with suction casings up to \varnothing 125mm/5") and small table saws.

The DC 1800 is equipped with a container. A plastic sack can be used inside the container to facilitate the emptying of dust and other material.



Part No. DC 1800 50/60 Hz
101830 115 V/60 Hz, US/CAN

- Supplied with** (Part No.)
 - Suction hose (\varnothing 38mm/1.5"), 5 m/16 ft (2111)
 - Antistatic suction hose (\varnothing 38/1.5"), 5 m/16 ft (2012)
 - UK/US/CAN model
 - Connecting sleeve (2115)
 - Coupling socket (2108)
 - Floor nozzle B370 /W17" (7235)
 - Chrome steel wand \varnothing 38mm/1.5" (7257)
 - Plastic sack (42291)
 - Sack support frame (42369)
 - Fine filter, cellulose (42029)
 - HEPA H13 filter (42027)

Technical data	
H x W x L (cm/inch)	74x38x38 /29"x15"x15"
Weight	10 kg/22 lbs
Hose length	5 m/16 ft \varnothing 38 mm/1.5"
Container	15 L/3.9 US gal
Flow at open inlet	190 m ³ /h/114cfm
Negative pressure, max 115/230V	21 kPa/84 inwg
Power consumption 115/230V	1340 W
Sound level	68 dB(A)

DC 2900c

Best-seller

The DC 2900 is our most popular dust extractor. It is suitable for vacuum cleaning and source extraction from handheld power tools (with suction casings up to \varnothing 125mm/5") and small table saws. The DC 2900 has a sturdy steel chassis with large wheels, but is still light and portable.



Part No. DC 2900c, 50/60 Hz
120015 115 V/60 Hz, US/CAN

- Supplied with** (Part No.)
 - Suction hose (\varnothing 38mm/1.5"), 5 m/16 ft (2111)
 - Antistatic suction hose (\varnothing 38/1.5"), 5 m/16 ft (2012)
 - UK/US/CAN model
 - Connecting sleeve (2115)
 - Coupling socket (2108)
 - Floor nozzle B370 /W17" (7235)
 - Chrome steel wand \varnothing 38mm/1.5" (7257)
 - Plastic sack (42702)
 - Fine filter, cellulose (42029)
 - HEPA H13 filter (42027)

Technical data	
H x W x L (cm/inch)	111x44x55 /43"x17"x21"
Weight	14 kg/30.8 lbs
Hose length	5 m/16 ft \varnothing 38 mm/1.5"
Collector	20 L/5.3 US gal
Flow at open inlet	190 m ³ /h/114 cfm
Negative pressure, max 115/230V	21 kPa/84 inwg
Power consumption 115/230V	1340 W
Sound level	68 dB(A)

DC 2900a

Best-seller

Collection in a container makes the DC 2900a ideal to use for sharp material such as metal chips.

- Supplied with** (Part No.)
 - Suction hose (\varnothing 38mm/1.5"), 5 m/16 ft, antistatic (2012)
 - Floor nozzle B370 /W17" (7235)
 - Chrome steel wand \varnothing 38mm/1.5" (7257)
 - Fine filter, polyester (42028)
 - HEPA H13 filter (42027)

Technical data	
H x W x L (cm/inch)	111x44x55 /43"x17"x21"
Weight	19 kg/42 lbs
Hose length	5 m/16 ft \varnothing 38 mm/1.5"
Container	40 L/10.56 US gal
Flow at open inlet	190 m ³ /h/114 cfm
Negative pressure, max 115/230V	21 kPa/84 inwg
Power consumption 115/230V	1340 W
Sound level	68 dB(A)

Part No. DC 2900a, 50/60 Hz
121015 115 V/60 Hz, US/CAN





Capture dust with source extraction

All dust on construction sites is a health hazard in the long term. However, there are some types of dust that are hazardous in the short term too. It has become standard practice for modern construction companies to take the health of their employees seriously and to minimize the levels of dust in the workplace. Source extraction means that the dust is captured before it spreads and before it can be breathed in. Dust levels can be significantly reduced by fitting all power tools with suction casings and connecting these to efficient dust extractors.

Cleaning should be carried out with a dust extractor equipped with a HEPA filter to prevent the spread of the finest dust particles. Sweeping simply stirs the hazardous dust up into the air, subjecting those in the area to further exposure. To put it simply, source extraction and cleaning using approved dust extractors are absolutely vital.

DC 3900L Twin

Integrated pre-separator

The DC 3900L Twin eco is a portable and very powerful dust extractor for large quantities of dust. Thanks to its integrated pre-separator, the user can work for long periods without any disruption. It is particularly suitable for heavy concrete grinding, as 80-90% of the coarse material is separated in the pre-separator. The rest of the dust goes into the filter cyclone. It is powerful enough for most applications and is easy to transport. The air flow capacity is suitable for floor grinding machines with diamond discs up to 20" (approx. 500 mm) in diameter.

Part No. DC 3900L Twin eco
132532 115 V/60 Hz, US/CAN



- Supplied with** (Part No.)
- Connecting sleeve (2129)
 - Coupling socket (2107)
 - Suction hose Ø50 mm/2", 7.5 m/ 22 ft antistatic (2013)
 - Floor nozzle B 500mm / W 19.7" (7238)
 - Chrome steel wand Ø50mm/2" (7265)
 - Longopac 20 m/65 ft (432177)
 - Plastic sacks (43619)
 - Fine filter, polyester (42025)
 - HEPA H13 filter (42024)

Technical data

H x W x L (cm/inch)	140x65x97 / 55"x25"x38"
Weight	54 kg/119 lbs
Hose length	7.5 m/24.6 ft Ø50 mm/2"
Collection	Longopac
Max flow 115V	???
Negative pressure, max 115/230V	21 kPa 84 inwg
Power consumption 115/230V	2100 W
Sound level	70 dB(A)

DC 3900c Twin

Integrated pre-separator



Part No. DC 3900c Twin eco

132502 115 V/60 Hz, US/CAN

- Supplied with** (Part No.)
- Connecting sleeve (2129)
 - Coupling socket (2107)
 - Suction hose Ø50 mm/2", 7.5 m/ 22 ft antistatic (2013)
 - Floor nozzle B 500mm / W 19.7" (7238)
 - Chrome steel wand Ø50/2" (7265)
 - Plastic sacks (43619)
 - Fine filter, polyester (42025)
 - HEPA H13 filter (42024)

Technical data

H x W x L (cm/inch)	140x65x97 / 55"x25"x38"
Weight	54 kg/119 lbs
Hose length	7.5 m/24.6 ft Ø50 mm/2"
Collection	Plastic sack
Flow at open inlet 115/230V	135cfm /230 m³/h 188cfm /320 m³/h
Negative pressure, max 115/230V	21 kPa 84 inwg
Power consumption 115/230V	2100 W
Sound level	70 dB(A)

DC 3900c Turbo

The professionals' choice

The DC 3900c Turbo is a medium-sized dust extractor with a tall cyclone and a three-phase motor that enables it to handle large quantities of debris. This dust extractor is suitable for long hoses (up to 20 m/ 65 ft), heavy cleaning (38 mm/1.5" accessories) and for source extraction from power tools such as grinders, hammers and saws. Suitable casings are those for sanding, grinding and diamond discs up to 9" (230 mm) as well as rubber bellows for chisel hammers, drills and jackhammers (Part Nos. 6078 & 6130).

Part No DC 3900c Turbo
133002 460 V/60 Hz US/CAN



- Supplied with** (Part No.)
- Suction hose set, 7 m /23 ft, 5 m /16 ft (Ø50mm /2") and 2 m /6.5 ft (Ø38mm /1.5"), (2125)
 - Floor nozzle B450 (7236)
 - Chrome steel wand Ø50mm /2" (7257)
 - Plastic sacks (43619)
 - Fine filter, polyester (42025)
 - HEPA H13 filter (42024)

Technical data

H x W x D (cm/inch)	145x60x97 / 57"x23"x38"
Weight	62 kg /137 lbs
Hose length	5 m /16 ft (Ø50mm /2")
Collector	40 L/ 10 US gal
Flow at open inlet MAX	260 m³/h/188 cfm
FLOW??	30 kPa /121 inwg
Negative pressure	2200 W/ 4 hp
Power consumption	75 dB(A)
Sound level	

DC 3900c Twin Turbo

Continuous operation

The DC 3900c Twin Turbo is a very powerful dust extractor that can handle large quantities of dust thanks to its integrated pre-separator. The 3-phase pump allows continuous operation and the possibility of using longer hoses (up to 20 m/ 65 ft) as the machine generates a high pressure. 80-90% of the coarse material is separated in the pre-separator and the rest of the dust goes into the filter cyclone where it is taken care of.

Part No DC 3900c Twin Turbo
133002 460 V/60 Hz US/CAN



- Supplied with** (Part No.)
- Connecting sleeve (2129)
 - Coupling socket (2107)
 - Suction hose Ø50 mm/2", 7.5 m/ 22 ft antistatic (2013)
 - Floor nozzle B 500mm / W 19.7" (7238)
 - Chrome steel wand Ø50/2" (7265)
 - Plastic sacks (43619)
 - Fine filter, polyester (42025)
 - HEPA H13 filter (42024)

Technical data

H x W x D (cm/inch)	140x65x97 / 55"x25"x38"
Weight	81 kg /178 lbs
Hose length	7.5 m/24.6 ft Ø50 mm/2"
Collector	Plastic sack
Flow at open inlet	260 m³/h /188 cfm
Negative pressure	30 kPa /121 inwg
Power consumption	2200 W /4 hp
Sound level	75 dB(A)

DC Tromb 400

Feel the power

The DC Tromb 400 is designed to meet modern safety requirements and work in conjunction with tools that have become ever more efficient and that therefore produce more dust than they have previously. The maximum air flow is as high as 400 m³/h/ 247 cfm which is more than enough capacity for equipment such as floor grinders with a working width of 500 mm /19" and large electric cutoff saws. It is easy to transport around construction sites, move in stairwells and lift into tight spaces. The wheels are puncture-proof and won't leave marks on the floor. The front wheels are lockable to enable working on uneven ground.

The DC Tromb can be supplied with three different collection variants: container, sack or longopac.



DC Tromb 400a



DC Tromb 400c



DC Tromb 400L

Part No. DC Tromb 400 50 Hz
 162002 a-model 115V /60Hz US/CAN
 161502 c-model 115V /60Hz US/CAN
 161532 L-model 115V /60 Hz US/CAN



Supplied with (Part No.)

- Connecting sleeve (2129)
- Coupling socket (2008)
- Antistatic suction hose (Ø50mm/2"), 5 m/16 ft (2013)
- Suction hose Ø50 mm /2" 5 m /16 ft (2401) on model 161500 and 161508
- Floor nozzle (7238)
- Chrome steel wand Ø50 mm /2" (7265)
- Discharge:
 - "a" model (40 L /10 US gal container 40070)
 - "c" model (10 x plastic sacks 43619)
 - "L" model (Longopac 20 m /65 ft 432177)
- Fine filter, polyester (44017)
- HEPA H13 filter (44016)

Technical data

H x W x L (cm/inch)	139x56x70 /54"x22"x27"
Weight	a/ 50 kg /110 lbs c/ 46 kg /101 lbs L/ 48 kg /106 lbs
Inlet	Ø 76 mm /3"
Collection	40 L/10 US gal /20 L / 5 US gal longopac
Flow open inlet 115/230V	360 m ³ /h / 212 cfm
Negative pressure, max 115/230V	21/25 kPa /84/100 inwg
Power consumption 115/230V	2100 W
Sound level	70 dB(A)





DC 5900L

For tough jobs



All DC 5900s are powerful and reliable mobile dust extractors. They are built on a robust and sturdy steel chassis for maximum durability, for example on construction sites. With a direct-driven, three-phase turbopump, the DC 5900 is suitable for continuous operation, conveying heavy material away, source extraction and cleaning.

The DC 5900 provides sufficient air flow for several users at the same time and it can also be used as a semi-mobile central unit in a tubing system. It is suitable for source extraction for grinding discs up to approx. 800 mm/ 31" in diameter.

Part No. DC 5900L
 119334 460V 60 Hz /10hp US
 119335 220/380V 60 Hz /10hp US



- Supplied with** (Part No.)
- Coupling socket (2107)
 - Coupling socket (2008)
 - Suction hose Ø50 mm/2", 7.5 m/ 22 ft (2401)
 - Floor nozzle B 500mm / W 19,7" (7238)
 - Chrome steel wand Ø50 /2" (7265)
 - Longopac, 20 m /65 ft (432177)
 - Fine filter, polyester (429204)
 - HEPA H13 filter (42869)

Technical data

H x W x D (cm/inch)	192x76x100 /75"x30"x39"
Weight	176 kg /388 lbs
Collector	20 m /65 ft
Flow at open inlet	630 m ³ /h /371 cfm
Negative pressure	28 kPa /112 inwg
Power consumption	7,5 kW /10 hp
Sound level	75 dB(A)

DC 5900a

For tough jobs



All DC 5900s are powerful and reliable mobile dust extractors. They are built on a robust and sturdy steel chassis for maximum durability, for example on construction sites. With a direct-driven, three-phase turbopump, the DC 5900 is suitable for continuous operation, conveying heavy material away, source extraction and cleaning.

The DC 5900 provides sufficient air flow for several users at the same time and it can also be used as a semi-mobile central unit in a tubing system. It is suitable for source extraction for grinding discs up to approx. 800 mm/ 31" in diameter.

Part No. DC 5900a
 119309 460V 60 Hz /10hp US
 119310 600V 60 Hz /10hp CAN



- Supplied with** (Part No.)
- Coupling socket (2107)
 - Coupling socket (2008)
 - Suction hose Ø50 mm/2", 7.5 m/ 22 ft antistatic (2013)
 - Floor nozzle B 500mm / W 19,7" (7238)
 - Chrome steel wand Ø50 /2" (7265)
 - Fine filter, polyester (429204)
 - HEPA H13 filter (42869)
 - Container 75 L /19 US gal (7368)

Technical data

H x W x D (cm/inch)	194x78x116 /76"x30"x45"
Weight	176 kg /388 lbs
Container	75 L /19 US gal
Flow at open inlet	630 m ³ /h /371 cfm
Negative pressure	28 kPa /112 inwg
Power consumption	7,5 kW /10 hp
Sound level	75 dB(A)



DC 5900c 7.5kW

Extreme airflow

The DC 5900c 7.5 kW / 10hp, is equipped with a frequency converter, which makes it suitable for use where only 16A is available. The machine is a powerful dust extractor with a large airflow, ideal for applications such as floor grinding.

Part No.

119303 DC 5900c 7.5 kW 400 V/50 Hz



Supplied with (Part No.)

Coupling socket (2129)
Coupling socket 76/50 (2008) and 50/50 (2107)
Suction hose antistatic Ø50 mm, 7.5 m (2013)
Floor nozzle B500/50 (7238)
Chrome steel wand Ø50 (7265)
Fine filter, polyester (429204)
HEPA H13 filter (42807)

Technical data

H x W x D (cm/inch)	194x78x116 /76"x30"x45"
Weight	210 kg /463 lbs
Collector	60 L /16 US gal
Flow at open inlet	630 m³/h /371 cfm
Negative pressure	28 kPa /112 inwg
Power consumption	7.5 kW /10 hp
Sound level	75 dB(A)

DC 5900 9.2kW P

Maximum power

The DC 5900c 9.2 kW / 15hp P, generates an extremely large airflow and is therefore optimised for many extraction points. It is generally used in semi-mobile extraction systems where the machine is conveniently positioned in a central location and connected to a tubing system. Maximum efficiency is achieved and maintained with up to four simultaneous users.

Part no DC 5900 15hp /60 Hz

119336 460V /15hp 60Hz longopac US/CAN
119314 460V /15hp 60Hz 60 L sack US/CAN
119315 460V /15hp 60Hz 75 L container US/CAN
119316 600V /15hp 60Hz 60 L sack US/CAN
119317 600V /15hp 60Hz 75 L container US/CAN



Supplied with (Part No.)

Fine filter, polyester (429204)
HEPA H13 filter (42807)

Technical data

H x W x D (cm)	194x78x116 /76"x30"x45"
Weight	210 kg /463 lbs
Collector	Container/Sack/Longopac
Flow at open inlet	800 m³/h /471 cfm
Negative pressure	28 kPa /112 inwg
Power consumption	9.2 kW /15hp
Sound level	75 dB(A)

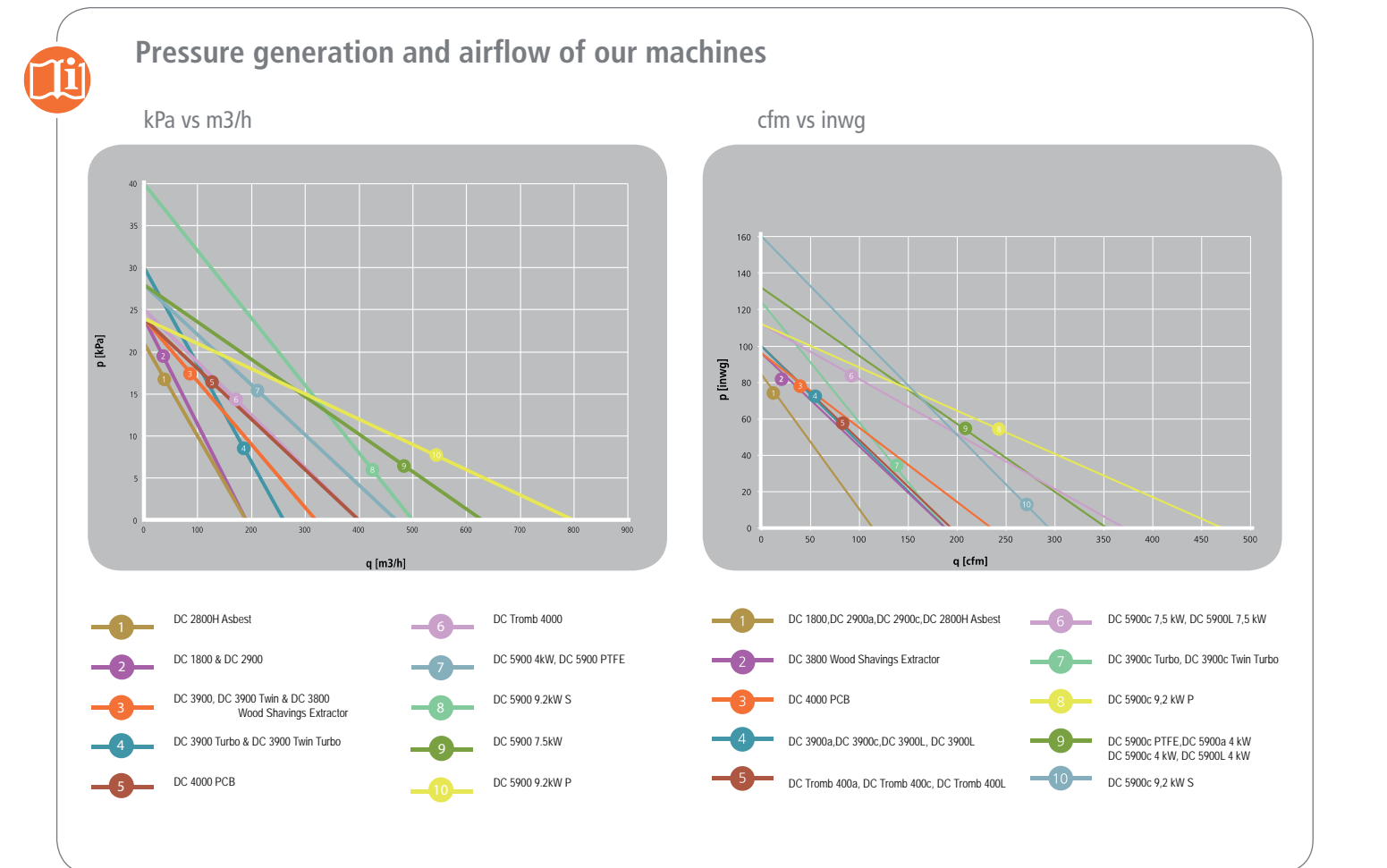
Comparison of our dust extractors

To help you find the right machine, we have compiled the various technical data relating to our dust extractors. Our machines can be compared with each other and against our competitors.

Technical data	DC 1800	DC 2900 c	DC 2900 a
H x W x L (cm/inch)	74x38x38 /29"x15"x15"	111x44x55 /43"x17"x21"	111x44x55 /43"x17"x21"
Weight	10 kg/22 lbs	14 kg/30,8 lbs	19 kg/42 lbs
Inlet	5 m/16 ft Ø38 mm/1,5"	5 m/16 ft Ø38 mm/1,5"	5 m/16 ft Ø38 mm/1,5"
Collection	15 L/3,9 US gal	20 L/5,3 US gal	40 L/10,56 US gal
Flow at open inlet	190 m³/h/114cfm	190 m³/h/114 cfm	190 m³/h/114 cfm
Negative pressure, max	21/24 kPa/84/96 inwg	21/24 kPa/84/96 inwg	21/24 kPa/84/96 inwg
Power consumption	1200/1340/1285 W	1340/1285 W	1340/1285 W
Sound level	68 dB(A)	68 dB(A)	68 dB(A)
Filter area, fine/HEPA filter	1.5 m²/0.85 m² 16 ft²/9,1 ft²	1.5 m²/0.85 m² 16 ft²/9,1 ft²	1.5 m²/0.85 m² 16 ft²/9,1 ft²

Technical data	DC 5900 a/c/L	DC 5900 7.5 kW	DC 5900 9.2 kW P
H x W x L (cm)	a/194x78x116 /76"x30"x45" c/ 192x76x100 /75"x30"x39" L/ 192x76x100 /75"x30"x39"	194x78x116 /76"x30"x45"	194x78x116 /76"x30"x45"
Weight	a/179 kg /394 lbs c/ 176 kg /388 lbs L/ 176 kg /388 lbs	210 kg /463 lbs	210 kg /463 lbs
Inlet	Ø76 mm /3 inch	Ø76 mm /3 inch	Ø108 mm /4.2 inch
Collection	75 L /19 US gal /60 L /15 US gal/longopac 20 m /65 ft	60 L /16 US gal	60 L /16 US gal
Flow at open inlet	630 m³/h /371 cfm	630 m³/h /371 cfm	800 m³/h /471 cfm
Negative pressure, max	28 kPa /112 inwg	28 kPa /112 inwg	28 kPa /112 inwg
Power consumption	7,5 kW/10 hp	7.5 kW /10 hp	9.2 kW /15hp
Sound level	75 dB(A)	75 dB(A)	75 dB(A)
Filter area, fine/HEPA filter	5 m²/2.7 m² 54 ft²/29 ft²	5 m²/3.7 m² 54 ft²/39.8 ft²	5 m²/3.7 m² 54 ft²/39.8 ft²

Technical data	DC 3900 Twin c/L	DC 3900 Turbo	DC 3900 Twin Turbo	DC Tromb 400 a/c/L
H x W x L (cm)	140x65x97 /55"x25"x38"	145x60x97 /57"x23"x38"	140x65x97 /55"x25"x38"	139x56x70 /54"x22"x27"
Weight	54 kg/119 lbs	62 kg /137 lbs	81 kg /178 lbs	a/ 50 kg c/ 46 kg L/ 48 kg a/ 110 lbs c/ 101 lbs L/ 106 lbs
Inlet	7.5 m/24,6 ft Ø50 mm/2"	5 m /16 ft (Ø50mm /2")	7.5 m/24,6 ft Ø50 mm/2"	Ø 76 mm /3"
Collection	40L/Longopac	40 L/ 10 US gal	Plastic sack	20 L/40 L-5/10 US gal/longopac
Flow at open inlet	320 m³/h/188cfm	320 m³/h/188 cfm	320 m³/h /188 cfm	360 m³/h /212 cfm
Negative pressure, max	21/24 kPa 84/96 inwg	30 kPa /121 inwg	30 kPa /121 inwg	21/25 kPa /84/100 inwg
Power consumption	2700/2600 W	2200 W/ 4 hp	2200 W /4 hp	2100/2680/3000 W
Sound level	70 dB(A)	75 dB(A)	75 dB(A)	70 dB(A)
Filter area, fine/HEPA filter	1.8 m²/1.5 m² 19,4 ft²/16 ft²	1.8 m²/1.5 m² 19,4 ft²/16 ft²	1.8 m²/1.5 m² 19,4 ft²/16 ft²	2.5 m²/2.2 m² 20,4 ft²/23,6 ft²





Semi-Mobile Systems

A semi-mobile system increases the accessibility to a powerful dust extractor on each floor. Instead of moving several small and large dust extractors around, each one requiring filter cleaning and filter replacement, several users can simultaneously connect their machines or power tools via a hose to a connection point. The sound level is reduced and it becomes easy for each team to clean up regularly, once the task has been completed.

The dust is collected directly at the source and conveyed by the hose system from each floor to the central dust extractor. Larger particles can be separated in a pre-separator, while the smallest and most dangerous dust particles are collected in the fine filter in the central unit. Dustcontrol can dimension the system and, if necessary, assist with installation and service.

Semi-Mobile Systems

Semi-mobile dust collection systems are a practical solution when work is to be carried out on several floors and by several users at the same time. Each floor is connected to a central extraction system via a hose connection package and is equipped with a connection point for connecting the suction hose to the machine being used.

A Ø76 /3" hose that forms the main line is taken up through, for example, a lift shaft, refuse disposal chute or stairwell, and run to the dust extractor, which can in turn be connected to a pre-separator to collect larger particles, if necessary.

Hose connection package for semi-mobile systems

One package is used for each floor to facilitate installation.

The package does not include electrical cables or the startbox for vacuum producers (ordered separately).



Part No. 3353



The branch pipe and hose connection package is supplied with		(Part No.)
1 x Rubber plug with chain		(4016)
1 x Hose, 2.5 m, 76 L		(2024)
2 x Joint Ø76 /3" (remove rubber ring)		(3007)
2 x Tube Ø76 /3" * 135		(3341)
1 x Screw 6*40		(MC6S)
1 x Branch pipe 45°, Ø76 /3"		(300311)
1 x Flap valve Ø50/76 /2"/3"		(3006)



Suction is available on each floor.



DC 5900, 9.2 kW P central unit with DC F Wheelbarrow pre-separator.

DC AirCube 500

Small and easy to use



The DC AirCube 500 has been developed for ease of use and durability. The fan unit is a radial blower with a specially designed scroll to build up high pressure across its entire flow range. This means that the unit generates a large amount of airflow during the entire lifetime of the filter. Equipped with a power socket for items such as a lamp. An exhaust hose can be used to create negative pressure in a sealed room. The fan has two speed settings, which means that the unit can be run economically, for example during the night.



- +** **Accessories** (Part No.)
 - Hose 125 (2420)
 - Funnel connection (42753)
 - Hose clamp (4138)
 - HEPA H13 filter (42692)
 - Pre-filter (42690)

Technical data	
H x W x D (cm/inch)	38x34x50 / 15"x13"x20"
Weight	13 kg /28,6 lbs
Inlet/Outlet Ø	38x34 cm /Ø125 1.5x1.3 inch /Ø5"
Power consumption, fan	145/210 W
Flow at open inlet, max	470/600 m³/h 276/353 cfm
Pre-filter area	0,18 m² /1.9 ft²
HEPA filter area	4.2 m² /45 ft²
Filter class	H13
Sound level	45-65 dB

Part No DC AirCube 500.
112505 115 V, 60 Hz US/CAN

DC AirCube 1200

Efficient and effective air cleaner



The DC AirCube is a highly efficient and robust air cleaner with the ability to clean the air even in large rooms, at a rate of up to 1,060 m³/h/647 cfm. The encapsulated fan housing contains a fan of the radial blower type that builds up high pressure across its entire flow range, which provides effective air cleaning for the entire lifetime of the filter. The speed of the fan is also continuously variable in order to save energy. The DC AirCube 1200 is equipped with both a HEPA H13 filter that captures the smallest particles, and a light that indicates when it is time to replace the filter.



- +** **Accessories** (Part No.)
 - Hose kit (42657)
 - Bend 90° (42660)
 - HEPA H13 filter (42940)
 - Pre-filter (42918)

Technical data	
H x W x D (cm/inch)	86x43x55 /34"x17"x21"
Weight	23 kg /51 lbs
Inlet/Outlet Ø	25/31,5 cm 0.98/1.24 inch
Power consumption, fan	375/385 W
Flow at open inlet, max	1660 m³/h /977 cfm
Pre-filter area	0.40 m² /4.3 ft²
HEPA filter area	5 m² /54 ft²
Filter class	H13
Sound level	60-68 dB

Part No DC AirCube 1200.
111003 115 V, 60 Hz US/
CAN

DC AirCube 2000

Powerful air cleaner

With a capacity of approximately 1,800 m³/h /1059 cfm the DC AirCube 2000 is the most powerful single-phase air cleaner on the market.

The DC AirCube 2000 has a robust, stainless-steel chassis and an encapsulated fan with variable speed setting. With its ergonomic design, it is easy to carry and transport. It can also be operated when positioned horizontally.

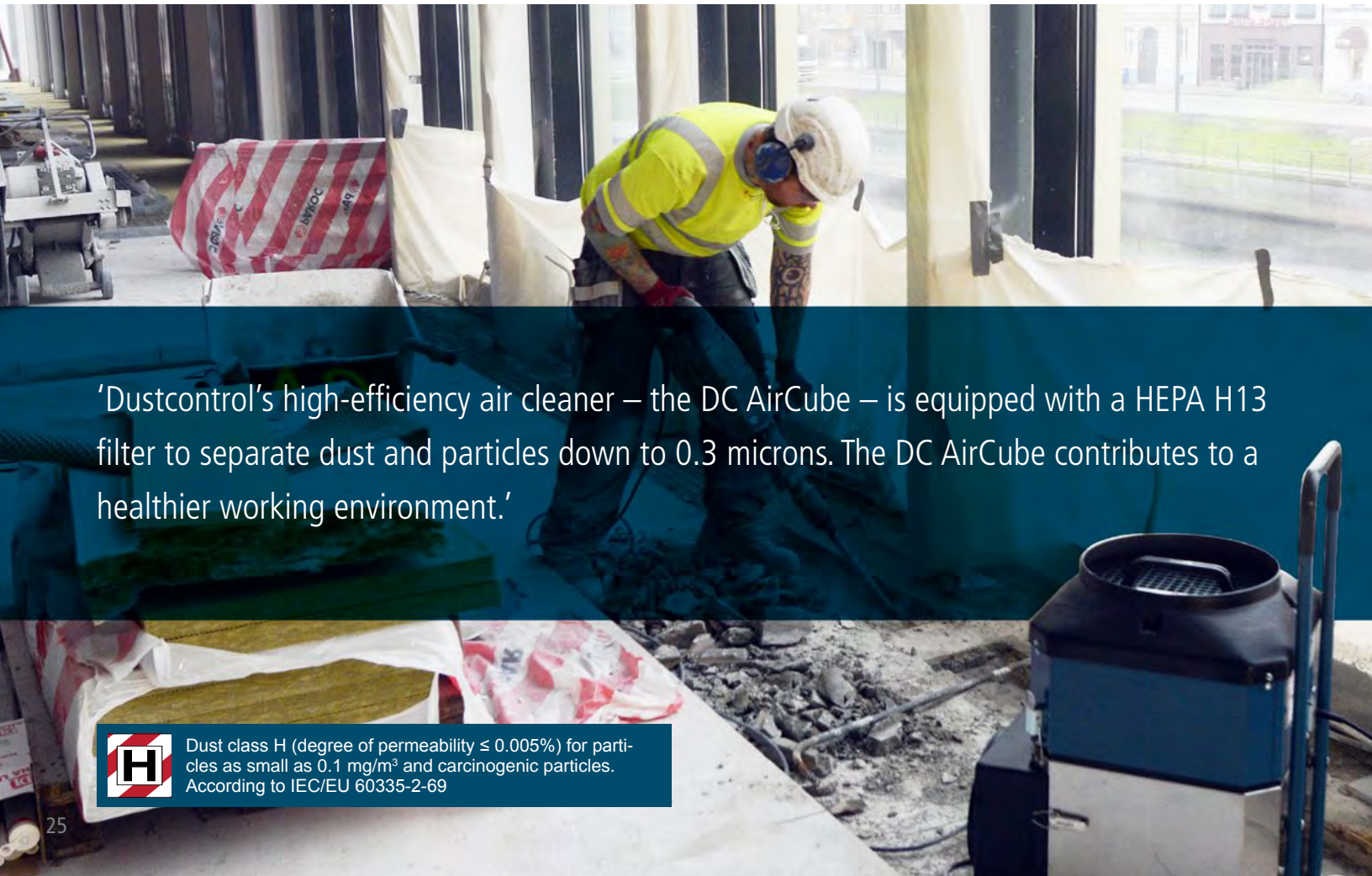
The DC AirCube 2000 has a HEPA H13 filter with an area totalling 10 m² /107ft². An integrated light indicates when it is time to replace the filter.




- +** **Accessories** (Part No.)
 - Hose kit (42657)
 - Bend 90° (42660)
 - HEPA H13 filter (42896)
 - Pre-filter (42917)

Technical data	
H x W x D (cm/inch)	102x56x70 /40"x22"x27"
Weight	30 kg /66lbs
Inlet/Outlet Ø	315/315 mm 12.4/12.4 inch
Power consumption, fan	360/505 W
Flow at open inlet, max	1800 m³/h /1059 cfm
Pre-filter area	0.5 m² /5.4 ft²
HEPA filter area	10 m² / 107 ft²
Filter class	H13
Sound level	60-68 dB

Part No DC AirCube 2000.
102004 115 V, 60 Hz US/CAN



'Dustcontrol's high-efficiency air cleaner – the DC AirCube – is equipped with a HEPA H13 filter to separate dust and particles down to 0.3 microns. The DC AirCube contributes to a healthier working environment.'

 Dust class H (degree of permeability ≤ 0.005%) for particles as small as 0.1 mg/m³ and carcinogenic particles. According to IEC/EU 60335-2-69

DC Box

Fume extraction cabinet for a safe and dust-free working environment

The DC Box is a specially designed dust extraction cabinet that protects against hazardous dust during decontamination and cleaning, before servicing or repairing machines and tools. The DC Box is equipped with a blow gun and a suction hose for vacuum cleaning. Larger particles and debris fall down into a plastic sack attached to the bottom of the cabinet.

The DC Box is easy to work with. Tools and machines are placed onto the rotating worktable and slid in through the side door. These are then cleaned either by vacuuming or using compressed air. The fine dust is vacuumed up and transported well away via a tubing system to a complete central unit located either in or outdoors. The size of the central unit and dimensioning of the tubing system is tailored to the needs of the customer. The system can be expanded so that it can also be used as a central extraction system with connections that are easily accessible across the entire worksite.

The DC Box is available in three versions: small, medium and large. The DC Box small uses the DC AirCube 500 air cleaner as its vacuum source and it is easy to use in cramped premises where there is no room for tubing and a central dust extractor.

The DC Box medium is the ideal solution for most users, as it includes a pre-separator and DC 11-Module/15 hp central unit. If you want to be able to roll taller equipment directly into the cabinet for decontamination, then the DC Box large is the solution for you.



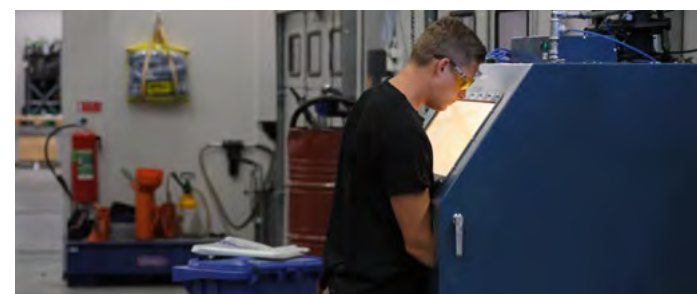
DC Box (Part No. 7470)

DC F Mobile

DC 11-Module



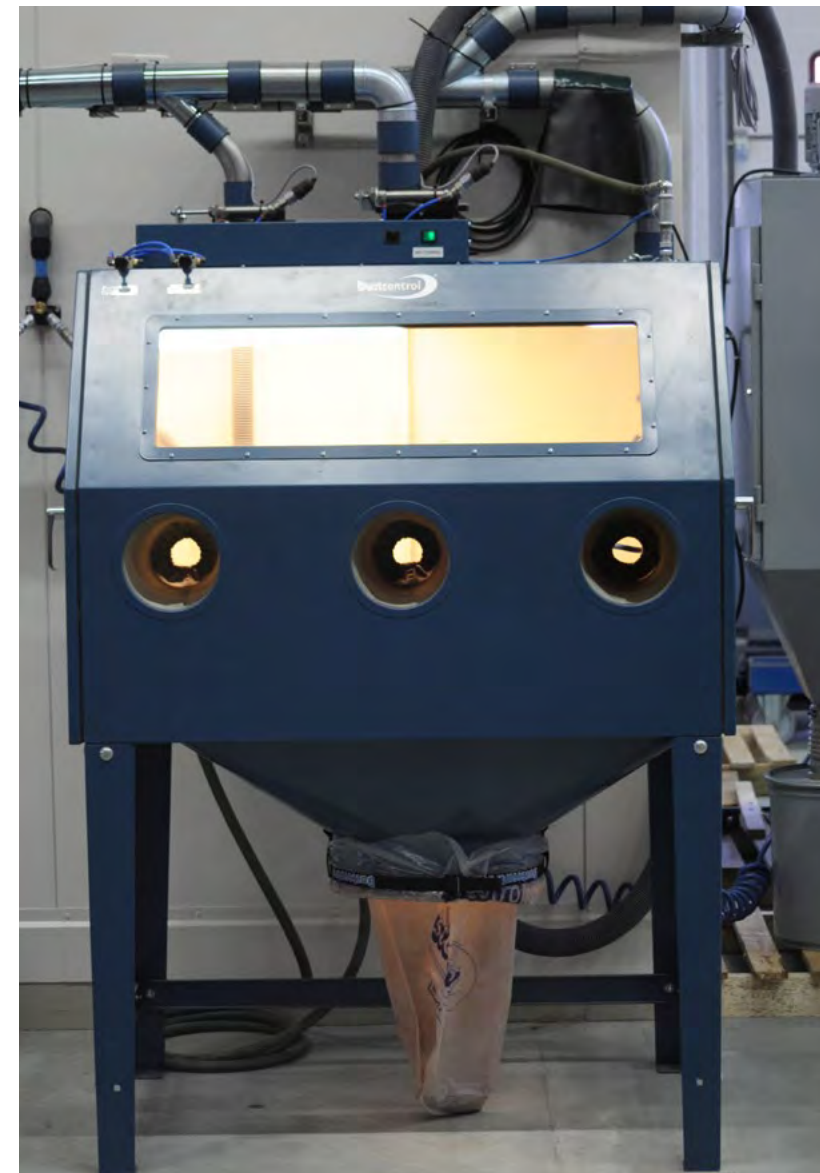
Rotatable, sliding workbench.



Large window and easy-to-access workspace



Compressed air connection and blow gun nozzle. Suction hose for easy cleaning inside the cabinet.



DC Box medium
7470 DC Box standard



DC Box large
Customised after your requirements

The DC Box medium package is



supplied with (Part No.)

DC Box (7470)

Trolley (42014)

DC F Mobile pre-separator (7074)

DC 11-Module 15 hp P central unit

Tubing system



Technical data DC Box

H x W x D (cm/inch)	200x80x160 / 79"x31"x63"
Weight	160 kg / 353 lbs
Inlet/Outlet	Ø76 mm / 3"
Hose length	2 m / 6.5ft
Flow	600 m³/h / 353 cfm



Technical data DC 11-Module 11 kW P/15hp

H x W x D (cm/inch)	180x100x130 / 71"x40"x51"
Weight	260 kg / 573 lbs
Inlet/Outlet	Ø180 mm / 7"
Filter cleaning compressed air	4 l/s / 3 804 gph
Flow	800 m³/h / 28 250 ft³/h
Negative pressure, max	22 kPa / 88 inwg
Filter area	8.4 m² / 90.4ft²
Degree of separation	>99.9%
Sound level	60-63 dB(A)

Contact your sales representative for correct dimensioning and a quotation for DC Box packages.

Pre-Separators

For large volumes - use a pre-separator

When large quantities of material are to be separated, it is advisable to use a pre-separator. This can be placed where the work is being done or where the central unit is located.

Pre-separators should be used in all applications where the extracted material is coarse or voluminous. The pre-separator can be situated where the actual work is taking place, for separate handling and recovery of the extracted material, or located centrally.

The pre-separator separates the material by means of dynamic separation, which means that the airflow is deflected so that the material is thrown out of the airstream. This can occur in a cyclone or a so-called inertial separator. Inertial separators usually consist of a container with the inlet and outlet in the same wall of the container. When the air flow changes direction abruptly, the coarse material is thrown into the container. Because a pre-separator is installed when the system is to handle large amounts of material, it is also important to plan the type of material discharge system to be used. Dustcontrol offers a range of standard solutions, such as peristaltic airlocks, container collection, and auger compactors.

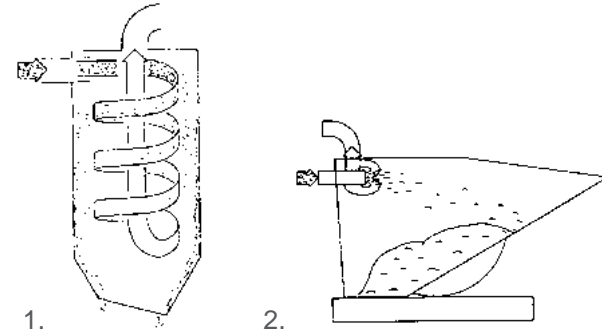
Pre-separators should be used:

- for the recovery of certain material
- for the pneumatic conveying of material
- to reduce the load on the tubing system
- to prevent overloading of the central unit
- to reduce the risk of filter clogging
- when liquids are to be separated

Dustcontrol's pre-separators work on two principles:

1. The cyclonic principle, which means that the inlet is mounted tangentially on the body so that the airflow is forced against the inside of the cyclone. This principle is very effective in separating very fine particles (down to 1/100 mm).

2. The inertial principle, which means that the air stream flows into the container and abruptly changes course. The outlet is located behind the inlet so that coarse particles are thrown into the container when the air changes course.



The following should be considered when choosing a pre-separator:

1. The type of dust to be handled.
2. Where the unit is to be located and how emptying will be performed.
3. The airflow that is expected.

DC F 8000

For large quantities of dust

The DC F8000L is ideal for floor grinding and semi-mobile systems where large quantities of dust are handled. The pre-separator relieves the loading on the filter in the vacuum source and is equipped with a Longpac solution for dust-free sack changing, so that the user can minimize unnecessary and time-consuming stoppages. Also available as a standard "c" model with an intellibag.

Part No.

70701 DC F 8000 Longpac
70700 DC F 8000 c



Supplied with (Part No.)

DC F 8000L, Longpac 20 m /65 ft (432177)
or DC F 8000c, plastic sacks (46145)



Technical data

H x W x D (cm/inch)	185x70x108 /73"x27"x42"
Weight	46 kg /101 lbs
Inlet	Ø108 mm /4"
Flow at open inlet, max	700 m³/h /412 cfm
Negative pressure	40 kPa /160 inwg

DC F 60

Wooden floor grinding

The DC F 60 pre-separator can handle large quantities of dust. Due to its large inlet the pre-separator is also well suited to separate coarse dirt. Perfect for wooden floor grinding.

Part No.

70690 DC F 60 with wheel set



Technical data

H x W x D (cm/inch)	106x38x38 /42"x15"x15"
Weight	10 kg /22 lbs
Inlet	Ø50 mm /2"
Container	60L /16 US gal

DC F 2800

Light and easy to use

The DC F 2800 pre-separator is often used in combination with the DC 2900 dust extractor to relieve the loading on the filter.

Part No.
7372 DC F 2800



Technical data

H x W xD (cm/inch)	100x54x45 /39"x21"x18"
Weight	10 kg /22 lbs
Inlet/Outlet	Ø50 mm /2"
Cyclone diameter	Ø250 mm /10"
Collection	40 L /10 US gal



Supplied with (Part No.)

Plastic sacks (42702)

DC F 3900

High capacity, low weight

The DC F 3900 is a robust pre-separator that has been designed to deal with large quantities of dust, especially when grinding. The chassis is adjustable to make it easier to transport. Thanks to its large inlet, it is also suitable for the collection of coarser types dust. The DC F 3900 separates 90% of the dust, thus relieving the load on the dust extractor. This means that the container/sack does not have to be emptied as often. The pre-separator can be connected to our DC 1800 eco, DC 2900 eco and DC 3900 eco dust extractors.

Part No.
703900 DC F 3900 Longopac
703901 DC F 3900 c



Technical data

H x W xD (cm/inch)	154x60x78 /60"x23"x31"
Weight	25 kg /55 lbs
Inlet/Outlet	Ø50 mm /2"
Flow at open inlet, max	320 m³/h 188 cfm
Negative pressure	25 kPa /100 inwg



Supplied with (Part No.)

The DC F 3900L is supplied with

Longopac 20 m /65 ft (432177)

The DC F 3900c is supplied with

Plastic sacks (43619)

DC Cyclone Separator Cover

Practical when there is a lot of dust

When large quantities of dust are produced, a DC 5900, for example, can be supplemented with a cyclone separator cover that is fitted directly onto a standard 200-litre /55 US gal drum.

Part No.
7367 Cyclone separator cover



Technical data

Height	58 cm /23"
Weight	10 kg /22 lbs
Inlet/Outlet	Ø76 mm /3"
Cyclone diameter	Ø250 mm /10"
For barrel diameter*	Ø620 mm /24"

* Barrel not included

DC F Wheelbarrow

Easy handling

The DC F Wheelbarrow is a mobile pre-separator designed like a wheelbarrow for ease of use. A small cyclone with two inlets is fitted in the container. Two tools, cleaning implements etc. can be connected at the same time. The container also has a special hatch so that material can be shoveled in and out dust-free during operation.

Part No.
7130 DC F Wheelbarrow



Technical data

H x W xD (cm/inch)	120x135x64 /47"x53"x25"
Weight	50 kg /110 lbs
Inlet x 2/Outlet x 1	Ø76 mm /3"
Cyclone diameter	Ø250 mm /10"
Filling volume	120 L /32 US gal



DC F Tipping Container

For large quantities of coarse material

Tipping containers can be used as inertial separators by equipping the container with a divider baffle and fitting hoses onto the inlet/outlet connections on the rear wall of the container.

Inertial separation is particularly suitable when large quantities of coarse material are involved.

Part No. DCF Tipping Container
7196 0.6 m³/158 gal
7198 2.5 m³/660 gal



Technical data DC F Tipping Container 0.6m³/158 gal

H x W xD (cm/inch)	118x108x159 /46"x42"x62"
Weight	240 kg /529 lbs
Total volume	0.6 m³ /158 US gal
Filling volume	0.3 m³ /79 US gal
Negative pressure, max	40 kPa /160 inwg

Technical data DC F Tipping Container 2.5m³/660 gal

H x W xD (cm/inch)	147x128x218 /58"x50"x86"
Weight	570 kg /1257 lbs
Total volume	2.5 m³ /660 US gal
Filling volume	1.3 m³ /343 US gal
Negative pressure, max	40 kPa /160 inwg



The most hazardous dust is the dust you can't see!

The smaller a particle is, the deeper into the pulmonary system it penetrates. Respirable dust, the dust we inhale, is made up of particles smaller than 5 thousandths of a millimetre (5 μm). Because the particles are so small, they can penetrate into the deepest parts of the pulmonary system where the air moves too slowly to be able to breathe them out again.

The lungs' way of protecting themselves is to wrap the foreign particles in nodules of connective tissue, which, in time, leads to pneumoconiosis or COPD (Chronic Obstructive

Pulmonary Disease). Some types of particles, such as silica and asbestos dust, cannot be broken down by the body and are also sharp, which is why they continue to cause damage long after they have become lodged in the lungs.

The best protection is to remove dust at the source and never allow it to reach the air. Dustcontrol has developed suction casings for most handheld and stationary machines, and also produces tailor-made suction casings.

- A strand of human hair is approximately 100 μm in diameter.
- Particles smaller than 10 μm are not visible with the naked eye.
- A particle of tobacco smoke is on average 0.01 to 1.00 μm .
- Most bacteria are between 0.35 and 10.0 μm .
- Almost all viruses are smaller than 0.03 μm . (μm = micron)

Classification of Dust Extractors and HEPA Filters

Dust extractors are used to improve the working environment, and to reduce levels of hazardous dust in the air to a minimum. This places great demands on the ability of the dust extractor to separate fine dust. We use a fine filter in our mobile dust extractors, which separates most of the dust. But in order to capture close to 100% of the finest and most dangerous particles, we always complete the design with a HEPA H13 filter.

Here at Dustcontrol, we use conical, pleated filters in all of our dust extraction units. A pleated filter has a very large area in relation to its physical size. The dust extractors can therefore be compact in relation to the large filter area they contain.

Only original Dustcontrol filters are tested and approved for use in our machines. The use of other types of filters could lead to the leaking of hazardous dust and/or machine breakdown. Dustcontrol's warranty only applies to machines equipped with original Dustcontrol spare parts. The filters are certified in accordance with current European requirements for dust extraction. This ensures that, with correct handling, optimum filtration will be achieved. Follow the instructions when handling filters, so that they can be replaced without exposure to hazardous dust.

To ensure that the filters comply with the requirements of relevant regulations for health and safety at work, a number of different testing standards are used. These are described below:

Test methods

The test methods used in current standards for dust extractors and filters are always based on particle counting. By injecting particles before the filter and by using a particle counter to determine the concentration before and after the filter, the penetration can be calculated (a penetration of 0.1% is equal to a degree of separation of 99.9%). The test is carried out in several stages by individually examining the filter media, the complete filter cartridge and, in some cases, also the complete unit.

HEPA filters — High Efficiency Particulate Air Filters

When classifying HEPA filters, Dustcontrol uses the strict HEPA standard (EN 1822-1). It is divided into different levels (E10 to H14) depending on filtration efficiency. Dustcontrol applies level H13, which can separate up to 99.95% of the particles between 0.15 and 0.30 µm in size. This particle size is used because it is the hardest to separate – both larger and smaller particles are easier to capture in a filter.

Dust extractors

In IEC-60335-2-69 (EN-60335-2-69), the standard for testing wet and dry extractors, dust extractors are classified into three categories – L for low, M for medium and H for high – where the H category is the most stringent. (Please note: do not confuse this “H” with that in HEPA H13). The category required for a specific application is decided on the basis of the permitted maximum concentration for that type of dust (MAK) in the working environment.

The test according to EN-60335-2-69 comprises two parts:

1. A test of the filter system – in our case, a fine filter and a HEPA H13 filter. To achieve category H, a degree of separation of 99.995% is required, where 90% of the test particles must be smaller than 1.0 µm. Our fine filters comply with category M, and our HEPA H13 filters with category H.
2. A test of the “assembled unit” – in our case, a complete dust extractor. Here, 99.995% efficiency is also required, however 10% of the particles must be smaller than 1.0 µm, 22% smaller than 2.0 µm, and 75% smaller than 5.0 µm.

The filter systems in all Dustcontrol dust extractors are built to comply with the stringent IEC machine classification H.

Classification of our dust extractors



NAME	CLASSIFICATION	STANDARD	EFFICIENCY	PARTICLE SIZE	EXAMPLE	MAK (Maximum Workplace Concentration)
	L=		> 99%			> 1.0 mg/m ³
	M=		> 99%			> 0.1 mg/m ³
IEC* standard	H=	IEC 60335-2-69	>99.995%	0.1 - 5.0 µm**	H=99.995%	< 0.1 mg/m ³ and carcinogenic substances including asbestos

* IEC: International Electrotechnical Commission

** Part 1: 90 % < 1.0 µm

Part 2: 10 % < 1.0 µm
22 % < 2.0 µm
75 % < 5.0 µm

Classification of our HEPA filters



NAME	CLASSIFICATION	STANDARD	EFFICIENCY	PARTICLE SIZE	EXAMPLE
	E10		85%	MPPS**** between 0.15–0.30 µm	
	E11		95%		
	E12		99.5%		HEPA H13 = 99.95 %
HEPA*	H13	EN 1822-1	99.95%		
DOP**		US IAW MIL-STD 282, 1956)***	99.97%	0.30 µm	DOP 99.97 %

* High Efficiency Particle Air filter, ** DOP: Dioctyl Phthalate, *** IAW: The Indications, Analysis, and Warnings Program, **** Most Penetrating Particle Size

* IEC: International Electrotechnical Commission **Part 1: 90 % < 1.0 µm Part 2: 10 % < 1.0 µm
22 % < 2.0 µm
75 % < 5.0 µm

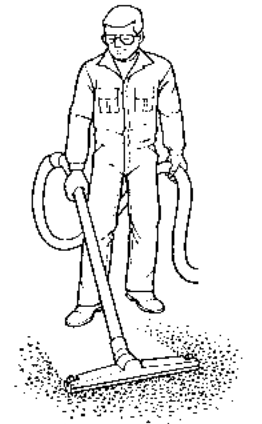




Cleaning Accessories

In order for you to get the most out of your Dustcontrol, you need the right accessories. We supply cleaning equipment in all sorts of designs and materials. If something is missing, we can even manufacture customized solutions. Please speak to your sales representative for more information.

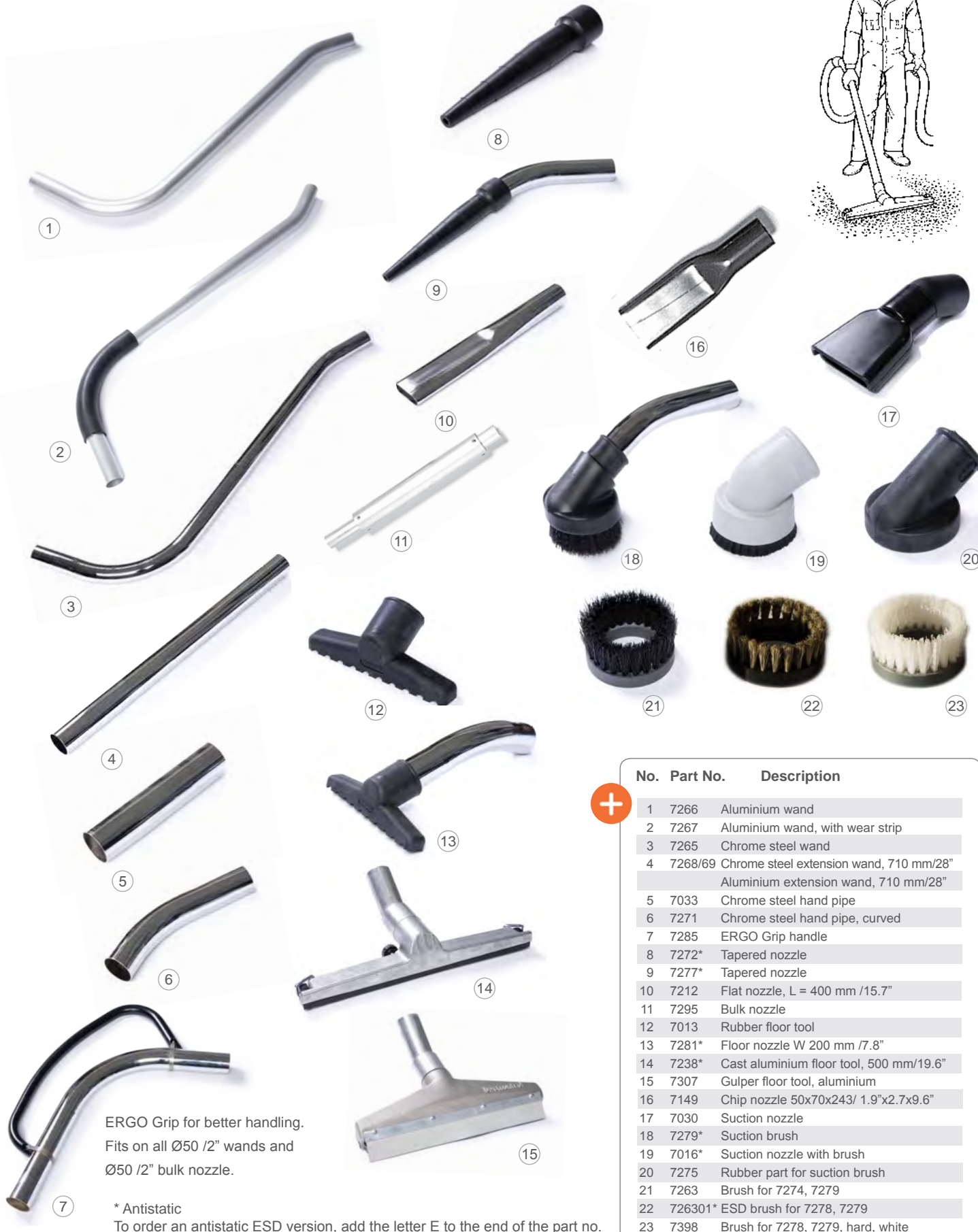
Cleaning Accessories Ø38 mm / 1,5 inch



No.	Part No.	Description
1	7038	Suction nozzle
2	7047	Suction brush W 200mm /7.8"
3	7048	Pipe nozzle RB 100
4	7049	Pipe nozzle RB 200
5	7276*	Tapered nozzle
6	7365	Flat nozzle
7	7257	Chrome steel wand
8	7258*	Aluminium wand
9	7259*	Aluminium wand, with wear strip
10	7260	Chrome steel extension wand, L = 715 mm /28"
11	7261*	Aluminium extension wand, L = 705 mm /27"
12	7264*	Tapered nozzle
13	7213	Chrome steel flat nozzle, L = 400 mm /15.7"
14	7035	Chrome steel hand pipe
15	7262	Chrome steel hand pipe, curved
16	7235*	Cast aluminium floor tool 370 mm /14.5"
17	7236*	Cast aluminium floor tool 450 mm 17.7"
18	7320/21	Moulded plastic floor tool 320mm /12.6", with rubber wipe/brush
19	7322/23	Moulded plastic floor tool 370mm /14.5", with rubber wipe/brush
20	7300	Rubber floor tool
21	7278*	Suction brush
22	7275	Rubber part of suction brush, 7278
23	7263	Brush for 7275, 7278
24	726301*	ESD brush for 7278, 7279
25	7398	Brush for 7278, 7279, hard, white

* Antistatic
To order an antistatic (ESD) version, add the letter E to the end of the part no.

Cleaning Accessories Ø50 mm / 2 inch

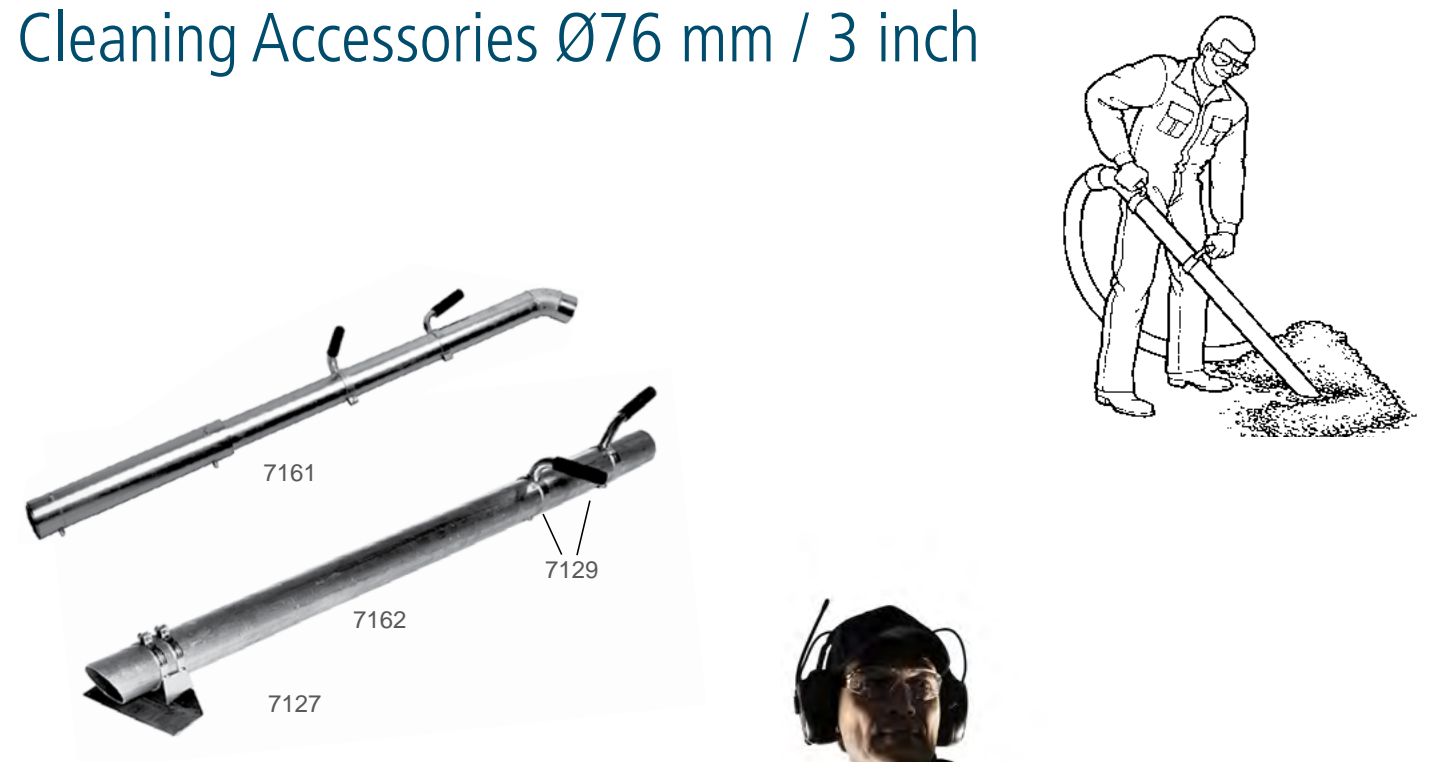


ERGO Grip for better handling.
Fits on all Ø50 /2" wands and
Ø50 /2" bulk nozzle.

* Antistatic
To order an antistatic ESD version, add the letter E to the end of the part no.

No.	Part No.	Description
+	1	7266 Aluminium wand
	2	7267 Aluminium wand, with wear strip
	3	7265 Chrome steel wand
	4	7268/69 Chrome steel extension wand, 710 mm/28" Aluminium extension wand, 710 mm/28"
	5	7033 Chrome steel hand pipe
	6	7271 Chrome steel hand pipe, curved
	7	7285 ERGO Grip handle
	8	7272* Tapered nozzle
	9	7277* Tapered nozzle
	10	7212 Flat nozzle, L = 400 mm /15.7"
	11	7295 Bulk nozzle
	12	7013 Rubber floor tool
	13	7281* Floor nozzle W 200 mm /7.8"
	14	7238* Cast aluminium floor tool, 500 mm/19.6"
	15	7307 Gulper floor tool, aluminium
	16	7149 Chip nozzle 50x70x243/ 1.9"x2.7x9.6"
	17	7030 Suction nozzle
	18	7279* Suction brush
	19	7016* Suction nozzle with brush
	20	7275 Rubber part for suction brush
	21	7263 Brush for 7274, 7279
	22	726301* ESD brush for 7278, 7279
	23	7398 Brush for 7278, 7279, hard, white

Cleaning Accessories Ø76 mm / 3 inch



Part No.	Description
+	7126 Clamp for scraper
	7127 Scraper for suction lance
	7129 Handle, complete
	7161 Bulk nozzle
	7162 Suction lance



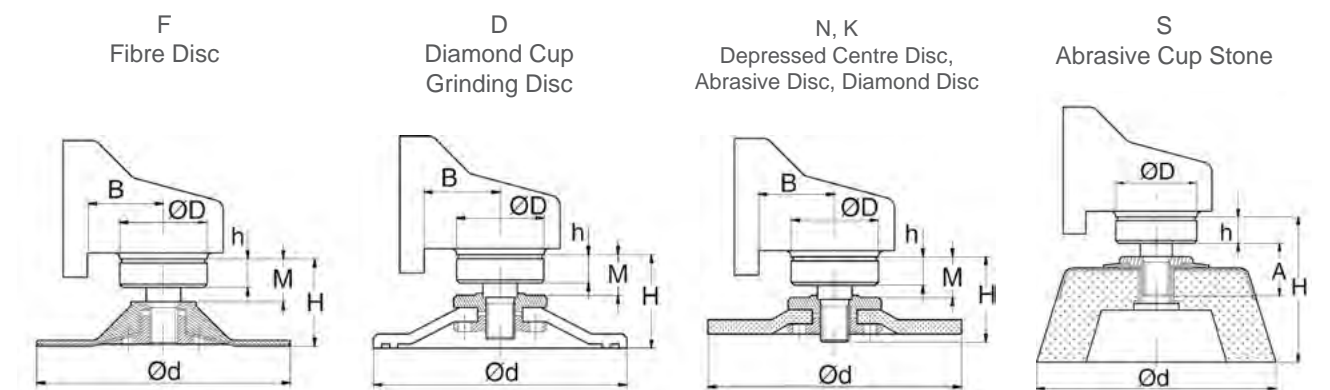


Capture Dust at the Source

The suction casing is the key to an effective source extraction system. It must be light-weight and well designed, but it should also capture the dust efficiently and effectively.

Here we present our suction casings for the most common power tool types and manufacturers.

Find the Right Suction Casing



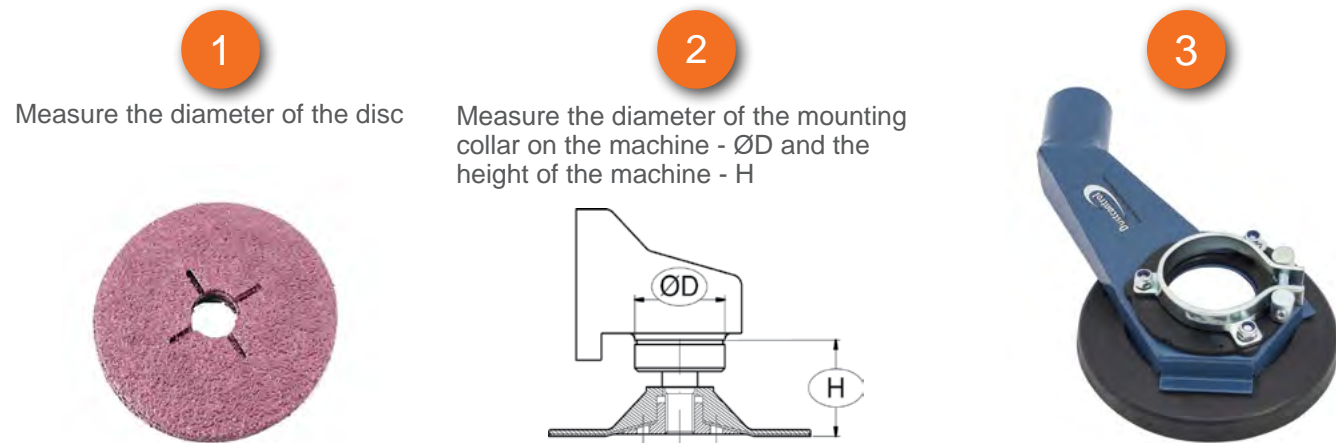
Machine	Make				Type	
D	d	H	h	A	B	M

Legend

- F Fibre disc
- D Diamond cup grinding disc
- N Depressed centre disc
- K Abrasive disc, diamond disc
- S Abrasive cup stone

If you cannot find the suction casing you are looking for, contact your sales representative for pricing information regarding a product tailored to your specific needs.

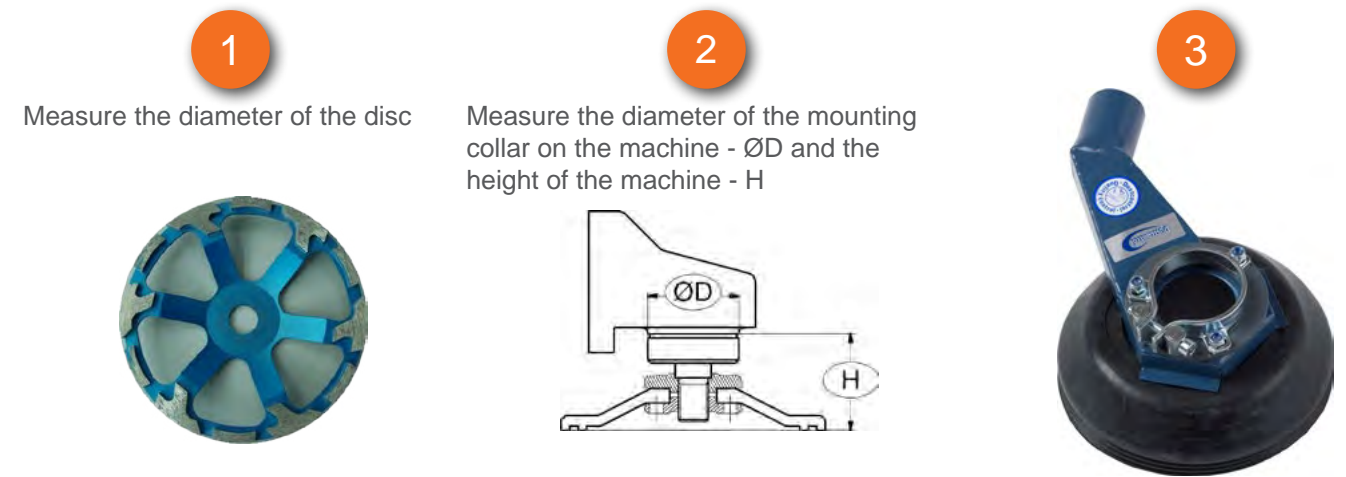
Suction Casing Kit for Fiber Discs (F)



Disc diameter	Ø D (in/mm)	H (in/mm)	Connection, Ø (in/mm)	Part No.
1½–3" (38–75 mm)	1.1"/27	*	1.25"/32	6833*
4" (100 mm)	1.6"–1.9"/40–49	1.5"–1.7"/39–44	1.25"/32	6670
4 ½" (115 mm)	1.6"–1.9"/40–49	1.5"–1.9"/39–48	1.25"/32	6671
5" (125 mm)	1.6"–1.9"/40–49	1.5"–1.9"/39–48	1.25"/32	6672
5" (125 mm)	2"/50	1.5"–2.1"/38–61	1.25"/32	6673
7" (175 mm)	2.1"–2.4"/54–61	2"–2.3"/50–59	1.5"/38	6674
7" (175 mm)	2.4"–2.6" & 2.9"–3" / 62–65 & 74–77	2"–2.9"/50–73	1.5"/38	6675

** Some Hitachi machines have a Ø40 mm /1,6" conical neck. With these, it is necessary to buy an aluminium ring (Part No. 6270). When fitted on the machine, this aluminium ring enlarges the ØD of the machine to 50 mm /1,9"– therefore choose the 5" N, K suction casing kit – Part No. 6678.

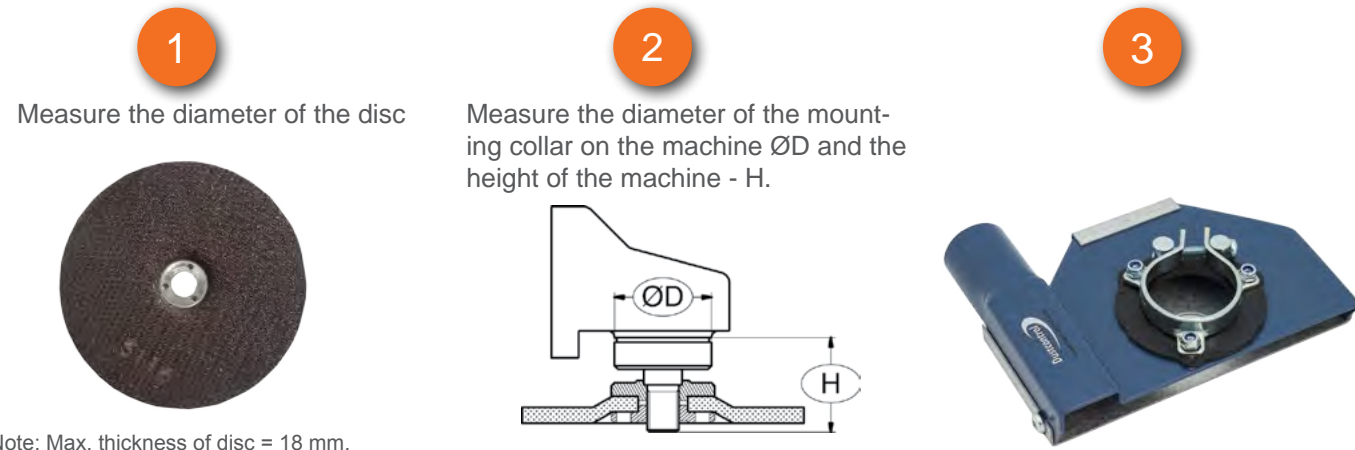
Suction Casing Kit for Diamond Cup Grinding Discs (D)



Disc diameter	Ø D (in/mm)	H (in/mm)	Connection, Ø (in/mm)	Part No.
4 ½" (115 mm)	1.6"–1.9"/40–49	1.9"–2.1"/49–54	1.25"/32	6681
5" (125 mm)	1.6"–1.9"/40–49	1.9"–2.8"/49–70	1.25"/32	6682
5" (125 mm)	2"/50	1.5"–2.4"/38–61	1.25"/32	6673
7" (175 mm)	2.1"–2.4"/54–61	2.5"–2.8"/63–72	1.5"/38	6683
7" (175 mm)	2.4"–2.6" & 2.9"–3" / 62–65 & 74–77	2.5"–3.4"/63–86	1.5"/38	6684



Suction Casing Kit for Depressed Center Discs, Abrasive Discs and Diamond Discs (N, K)



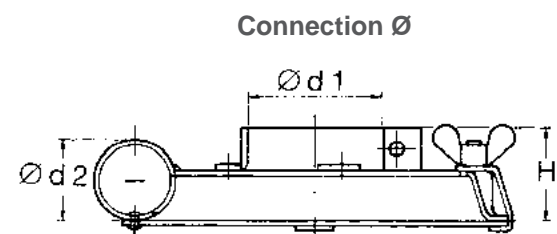
Note: Max. thickness of disc = 18 mm.



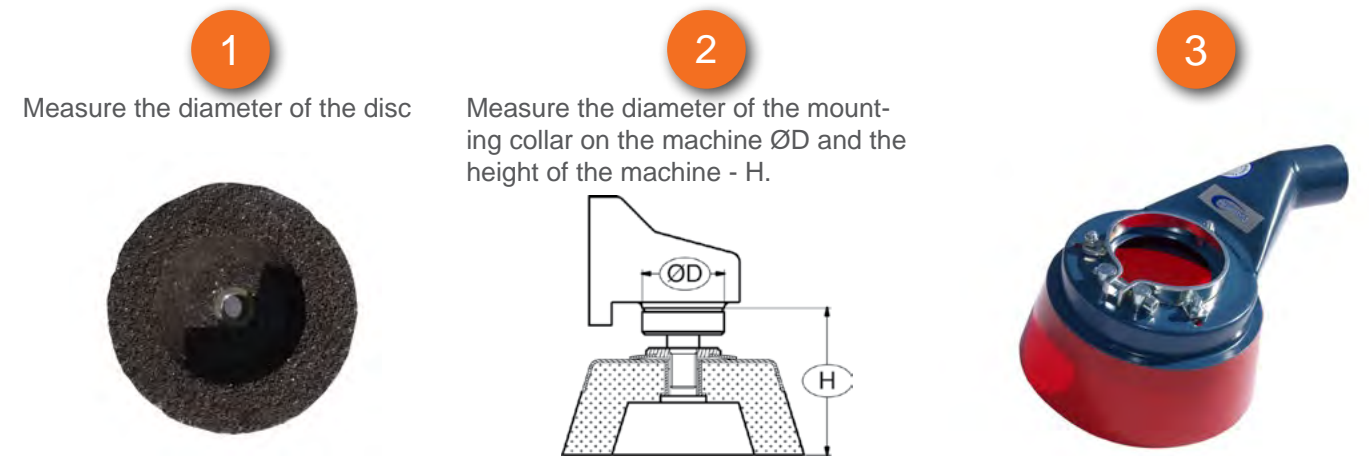
Disc diameter	Ø D (in/mm)	H (in/mm)	Connection, Ø (in/mm)	Part No.
4 1/2" (115 mm)	1.6"-1.9"/40-49	1.2"-1.8"/31-46	1.25"/32	6676
5" (125 mm)	1.6"-1.8"/40-45	1.2"-1.8"/31-46	1.25"/32	6677**
5" (125 mm)	1.8"-2.1"/46-53	1.2"-1.8"/31-46	1.25"/32	6678
7" (175 mm)	2.4"-2.6" & 2.9"-3"/62-65 & 74-77	1.2"-2"/31-51	1.5"/38	6679
9"*	4.4"/112	1.5"/37	1.5"/38	6221*
9"	2.7"/68	2"/51	1.5"/38	6202*
9"	2.9"/74	2.1"/54	1.5"/38	6302*
9"	2.9"/74	1.5"/37	1.5"/38	6349*
9"	2"/50	1.9"/47	1.5"/38	6500*
9"	2.4"/62	2.1"/54	1.5"/38	6416*
9"	2.4"/62	2"/50	1.5"/38	6438*
9"	2.4"/62	1.9"/48	1.5"/38	6555*
9"	2.6"/65	1.6"/40	1.5"/38	6842*
9"	2.5"/64	2"/52	1.5"/38	6427*
	2.3"/58	2.1"/54	1.5"/38	6537*
Georges Renault KL 365 9"		59	38	6388*

*With the clamping rings welded on the suction casings.

**Some Hitachi machines have a Ø40 mm conical neck. With these, it is necessary to buy an aluminium ring (Part No. 6270). When fitted on the machine, this aluminium ring enlarges the ØD of the machine to 50 mm – therefore choose the 5" N, K suction casing kit – Part No. 6678.



Suction Casing Kit for Abrasive Cup Stone (S)



Disc diameter	Ø D (in/mm)	H (in/mm)	Connection, Ø (in/mm)	Part No.
5" (125 mm)	1.9-3" /50-77	1.8-3.2"/46-81	1.5" /38	6680
6" (150 mm)			1.5" /38	6023

Reciprocating Saw



Suction casings C



Machine model	Connection, Ø (mm)	Part No.
Atlas Copco SSE 1000 X/SQ/, Milwaukee 65xx-xx (Sawzall)	1.5" /32	6290
Milwaukee 6378	1.5" /32	6269

Hammer Drills, Chisels and Breakers

Spare Parts for Suction Casings



Part No. 7033 Chrome steel hand pipe Ø50



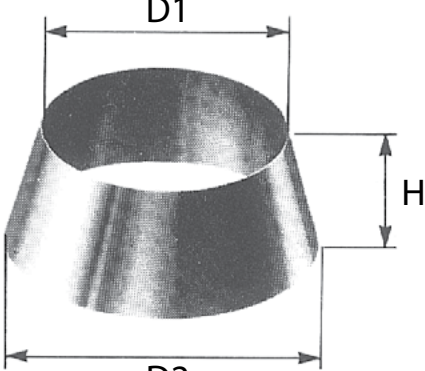
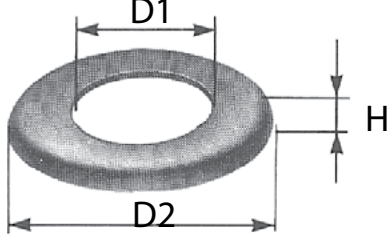
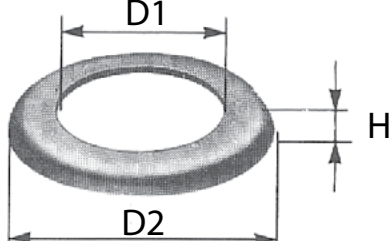
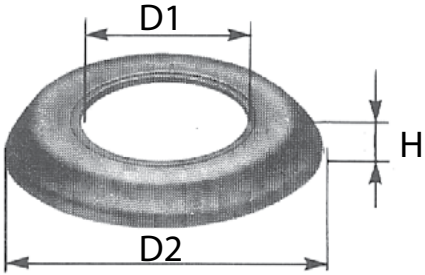
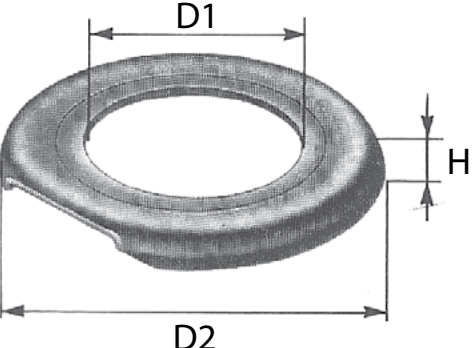
Suction casings B, H, M, L

No	Part no.	Connection tool Ø (in/mm)	Hose connection Ø (in/mm)	Height (in/mm)
1	6621	1.89"/48	1.5"/38	6.22"/158
2	6622	1.69"/43	1.5"/38	6.22"/158
3	6077	1.26"/32	1.26"/32	4.4"/112
4	6078	2.4"/61	1.5"/38	7"/178
5	6001 (7033)	-	2"/50	3.9"/100
6	6130	Bellow for 6078, 6621 and 6622		

Part No. 6622 and 6077 are perfect for small chisel hammers.

Model-specific suction casings

Part No.	Model	Hose connection Ø (in/mm)
6229	Atlas Copco RRD 37/RRD 57	1.5" /38
6152	Atlas Copco BBD 11/RRC 73	1.5" /38

Description	Dimension			Part No.	
	D1 in/mm	D2 in/mm	H in/mm		
 Plastic ring for saucer grinder	5S	4.8"/121	5.5"/139	2"/50	6003 6004
	6S	5.8"/147	6.5"/164	2"/50	
 Rubber collar for fibre disc (F)	1 ½ F	1.5"/39	2.3"/59	0.9"/23	6314
	2 F	1.5"/39	2.7"/69	0.9"/23	6313
	3 F	1.5"/39	3.7"/95	1" /25	6312
	4 F	2.8"/72	4.6"/117	0.5"/13	6182
	4 ½ F	2.8"/72	5.3"/135	0.5"/13	6181
	4 ½ F	2.8"/72	5.3"/135	0.9"/23	618100
	5 F	2.8"/72	5.7"/145	0.5"/13	6195
 Rubber collar for fibre disc (F)	5 F	3.8"/96	5.9"/150	0.6"/15	6006
 Rubber collar for osc. sanding machine	5 O	2.8"/72	5.7"/145	1.5"/38	6212
	6 O	3.8"/96	6.7"/170	1.1"/28	6180
 Rubber collar for fibre disc (F)	7 F	4.4"/112	7.7"/196	7"/19	6002
	7 F	4.4"/112	7.7"/196	1.4"/35	6034
	8 F	4.4"/112	8.7"/221	1.6"/41	6211
	9 F	4.5"/113	10"/250	1.25"/32	6039

Suction Hoses

Hoses need to have different characteristics depending on their intended use. Dustcontrol supplies hoses that are:

- wear-resistant, lightweight and flexible
- unaffected by extremes of temperature
- crushproof
- antistatic

When using long suction hoses that are coupled together, the hose closest to the suction casing should be the one with the smallest diameter and it should be no longer than 9,8 ft /3 m. Coupling should be carried out using external couplings that are easy to use.



Product	Part No.	Dimension Ø	Standard length ft /m	Colour	Material	Temp °F /°C max/min	Anti-static	Abrasion resistance	UV and ozone resistance	Resistance to welding fumes	Resistance to solvent and oil
Suction hoses, standard	2001	3"/76 mm	32 /10	Blue	PE	140/-22/+60/-30	No	2	2	3	3
	2401	2"/50 mm	16,32,49 /5,10,15	Blue	PE	140/-22/+60/-30	No	2	2	3	3
	2111	1.5"/38 mm	16,32,49 /5,10,15	Blue	PE	140/-22/+60/-30	No	2	2	3	3
	2112	1.25"/32 mm	16,32,49 /5,10,15	Blue	PE	140/-22/+60/-30	No	2	2	3	3
	2113	1"/25 mm	16,32,49 /5,10,15	Blue	PE	140/-22/+60/-30	No	2	2	3	3
Suction hoses, heat-resistant	2004	2"/50 mm	16,32,49 /5,10,15	Grey	PP(EPDM)	194/-40/+90/-40	No	3	2	1	4
	2003	1.5"/38 mm	16,32,49 /5,10,15	Grey	PP(EPDM)	194/-40/+90/-40	No	3	2	1	4
Suction hoses, antistatic	2024*	3"/76 mm	32 /10	Black	PE	140/-4/+60/-20	Yes	2	2	3	3
	2013*	2"/50 mm	16,32,49 /5,10,15	Black	PE	140/-4/+60/-20	Yes	2	2	3	3
	2012*	1.5"/38 mm	16,32,49 /5,10,15	Black	PE	140/-4/+60/-20	Yes	2	2	3	3
	2005*	1.25"/32 mm	16,32,49 /5,10,15	Black	PE	140/-4/+60/-20	Yes	2	2	3	3
	2025*	1"/25 mm	16,32,49 /5,10,15	Black	PE	140/-4/+60/-20	Yes	2	2	3	3
Suction hoses, PU extra abrasion-resistant	2056	3"/76 mm	16 & 32 /5 & 10	Transparent	PU	194/-40/+90/-40	Yes**	1	1	3	1
	2054	2"/50 mm	16 & 32 /5 & 10		PU	194/-40/+90/-40	Yes**	1	1	3	1
	2055	1.5"/38 mm	16 & 32 /5 & 10		PU	194/-40/+90/-40	Yes**	1	1	3	1
Super D superelastic	2038	1.5"/38 mm	49 /15	Black/white	PVC	185/-23/+85/-5	No	2	2	2	4
	2039	2"/50 mm	49 /15	Black/white	PVC	185/-23/+85/-5	No	2	2	2	4

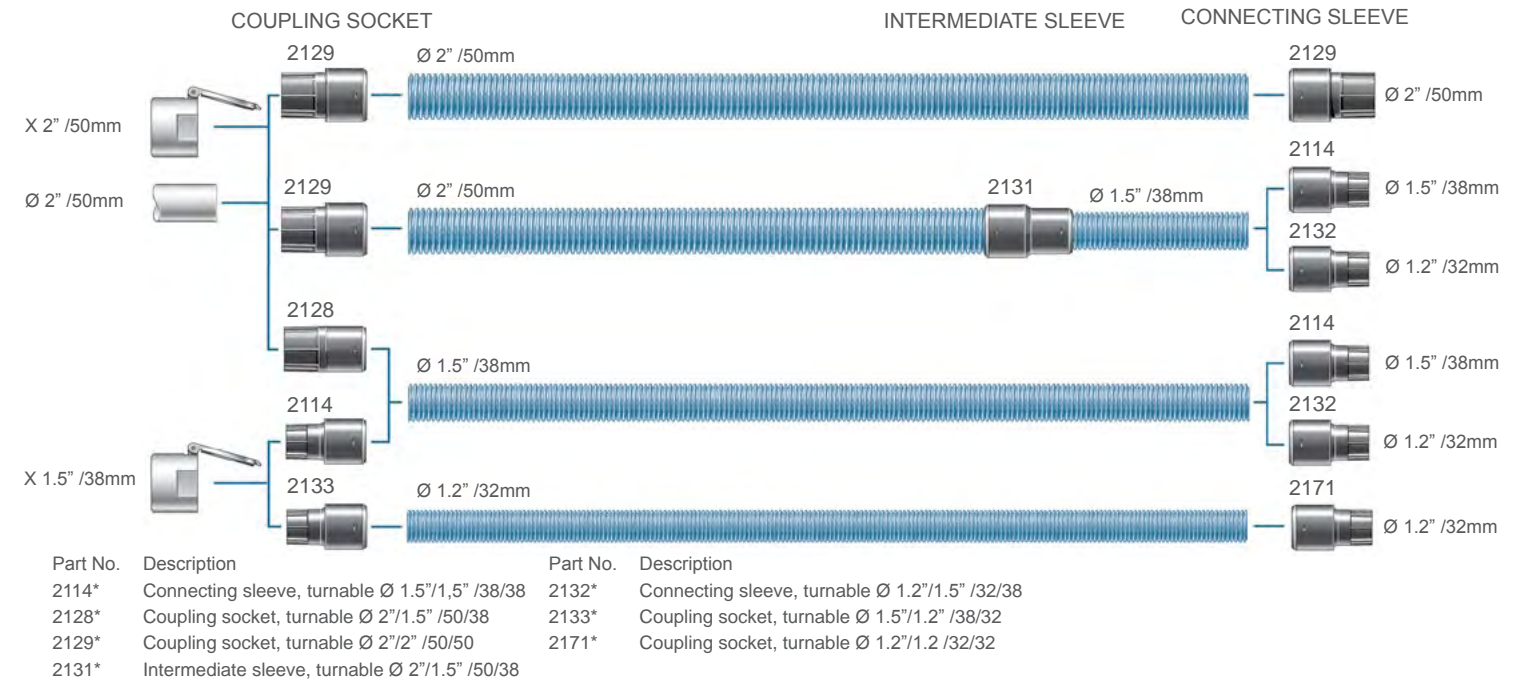
Resistance scale

1	Excellent
2	Good
3	Limited
4	Poor

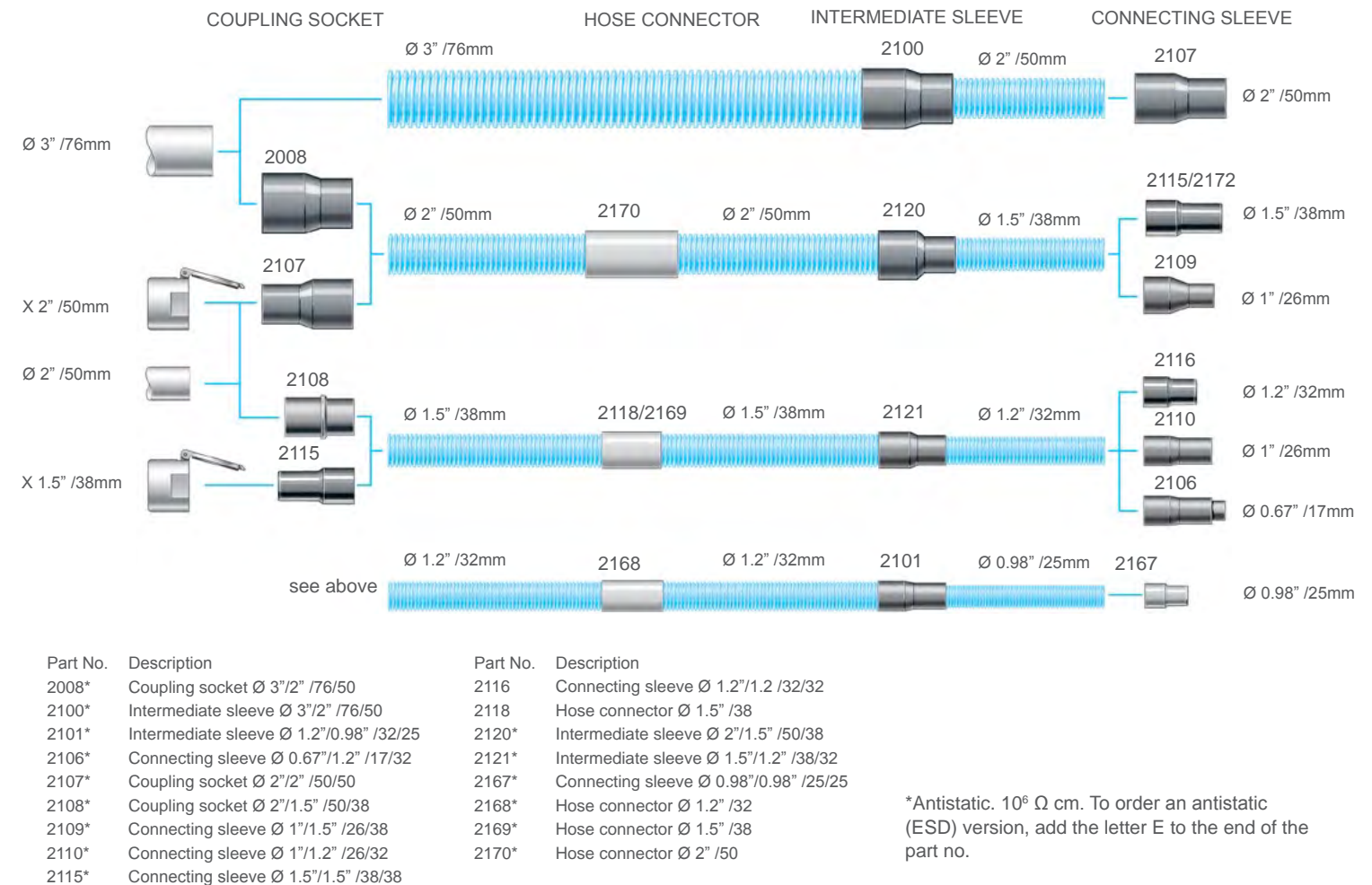
* Antistatic is defined as having a conductivity of < 10 6 Ω. To order an antistatic (ESD) version, add the letter E to the end of the part no.

** The wire helix must be bared and left in contact with conductive material for static discharge.

Turnable Hose Connectors



Non-Turnable Connectors



*Antistatic. 10⁶ Ω cm. To order an antistatic (ESD) version, add the letter E to the end of the part no.

Filters

Cellulose Fine Filter

High-quality, standard filter with high filtration efficiency. Epoxy-treated for improved resistance to humidity and other elements.

Polyester Fine Filter

High-quality filter with exceptional resistance to most elements. Particularly suitable for applications where there is high humidity, for example in machining and tooling shops where cutting and cooling fluids are used. The filter can be washed.

HEPA Filter

On many models a separate HEPA filter is fitted, after the fine filter. The HEPA filter is made of fibreglass with a support layer of cellulose. The filtration efficiency is 99.995%. EN 60335 ensures that even the smallest particles are separated. Note: When replacing filters, the filter holder gasket must always be checked and cleaned. Check that there are no leaks.

In applications requiring special filter materials, standard filter configurations can be ordered with alternative materials.



DC Tromb 400

Part No.	Description	Construction	Material	Area ft ² /m ²	Classification	Max temp
44017	Fine filter	Pleated around support cylinder	Polyester	27 /2.5	IEC EN 60335-2-69 Part 1	176°F/80°C
44043	Fine filter	Pleated around support cylinder	Cellulose, epoxy-treated	27 /2.5	IEC EN 60335-2-69 Part 1	176°F/80°C
44016	HEPA filter	Pleated	Cellulose, fibreglass	23.7 /2.2	HEPA H13	176°F/80°C

DC 3900 Series & DC 4000 PCB

Part No.	Description	Construction	Material	Area ft ² /m ²	Classification	Max temp
42026	Fine filter	Pleated around support cylinder	Cellulose, epoxy-treated	19.4/ 1.8	IEC EN 60335-2-69 Part 1	176°F/80°C
42026ST	Fine filter x 24		Cellulose			
42025	Fine filter	Pleated	Polyester	19.4/ 1.8	IEC EN 60335-2-69 Part 1	176°F/80°C
42025ST	Fine filter x 24		Polyester			
42465	Fine filter, PTFE	Pleated around support cylinder	Polyester, PTFE	19.4/ 1.8	IEC EN 60335-2-69 Part 1	176°F/80°C
42024	HEPA filter	Pleated	Cellulose, fibreglass	16/ 1.5	HEPA H13	176°F/80°C
42398	Fine filter	Pleated around support cylinder	Polyester	19.4/ 1.8	IEC EN 60335-2-69 Part 1	176°F/80°C

DC 5900 Series

Part No.	Description	Construction	Material	Area ft ² /m ²	Classification	Max temp
429203	Fine filter, PTFE	Pleated around support cylinder	Polyester, PTFE	53.8/ 5.0	IEC EN 60335-2-69 Part 1	266°F /130°C
429204	Fine filter	Pleated around support cylinder	Polyester	53.8/ 5.0	IEC EN 60335-2-69 Part 1	266°F /130°C
4292	Fine filter	Pleated around support cylinder	Polyester	90.4/ 8.4	IEC EN 60335-2-69 Part 1	266°F /130°C
42869	HEPA filter, DC 5900 4 kW, 9.2 kW S (installed under top cover)	Pleated around support cylinder	Cellulose, fibreglass	29/ 2.7	HEPA H13	176°F/80°C
42807	HEPA filter, DC 5900c 9.2 kW P (x 2/machine) (installed on exhaust)	Pleated	Cellulose, fibreglass	39.8/ 3.7	HEPA H13	176°F/80°C

DC 1800, DC 2900, DC 3800 Wood Shavings Extractor

Part No.	Description	Construction	Material	Area ft ² /m ²	Classification	Max temp
42029	Fine filter	Pleated around support cylinder	Cellulose, epoxy-treated	16.2 /1.5	IEC EN 60335-2-69 Part 1	176°F/80°C
42029ST	Fine filter x 48		Cellulose			
42028	Fine filter	Pleated	Polyester	16.2 /1.5	IEC EN 60335-2-69 Part 1	176°F/80°C
42027	HEPA filter	Pleated	Cellulose, fibreglass	9.1 /0.85	HEPA H13	176°F/80°C
40479	Combi-filter (Fine filter + HEPA filter), (GS Asbestos)	Pleated	Cellulose, epoxy-treated	16.2 /1.5	HEPA H13	176°F/80°C

DC AirCube Series

Part No.	Description	Construction	Material	Area ft ² /m ²	Classification	Max temp
42896	HEPA filter AC2000	Pleated around support cylinder	Cellulose, fibreglass	107.6/ 10	HEPA H13	122°F /50°C
42917	Pre-filter AC2000	Cartridge	Polyester	53.8/ 5.0	G3	122°F /50°C
42690	Pre-filter AC500	Pleated carpet	Polyester	2/ 0.18	G3	176°F/80°C
42692	HEPA filter AC500	Pleated	Cellulose, fibreglass	45/ 4.2	HEPA H13	176°F/80°C
42918	Pre-filter AC1200	Cartridge	Polyester	4.3/ 0.4	G3	176°F/80°C
42940	HEPA filter AC1200	Pleated	Cellulose, fibreglass	59/ 5.5	HEPA H13	176°F/80°C

Filters for Earlier Models

DC 2500i, DC 2500, DC 2500 Twin

Part No.	Description	Construction	Material	Area ft ² /m ²	Classification	Max temp
4889	Fine filter	Pleated	Polyester	15 /1.4	IEC EN 60335-2-69 Part 1	266°F /130°C
404901	Fine filter	Pleated around support cylinder	Cellulose	16.2 /1.5	IEC EN 60335-2-69 Part 1	158°F /70°C
4821	HEPA filter K	Pleated	Cellulose, fibreglass	16.2 /1.5	HEPA H13	158°F /70°C
4133	HEPA filter (fitted in the fine filter)	Pleated around support cylinder	Cellulose, fibreglass	5.4 /0.5	HEPA H13	176°F/80°C

DC 2700c, DC 2700i, DC 2800 c, DC 2800 c Rental. (Machines from serial number 2527595 can be equipped with the new, separate HEPA filter (Part No. 42027). Older models should be equipped with a HEPA combi-filter.

Part No.	Description	Construction	Material	Area ft ² /m ²	Classification	Max temp
4889	Fine filter	Pleated	Polyester	15 /1.4	IEC EN 60335-2-69 Part 1	266°F /130°C
404901	Fine filter	Pleated around support cylinder	Cellulose	16.2 /1.5	IEC EN 60335-2-69 Part 1	158°F /70°C
4821	HEPA filter K	Pleated	Cellulose, fibreglass	16.2 /1.5	HEPA H13	158°F /70°C
4133	HEPA filter (fitted in the fine filter)	Pleated around support cylinder	Cellulose, fibreglass	5.4 /0.5	HEPA H13	176°F/80°C

DC 3700c

Part No.	Description	Construction	Material	Area ft ² /m ²	Classification	Max temp
42026	Fine filter	Pleated around support cylinder	Cellulose, epoxy-treated	19.4 /1.8	IEC EN 60335-2-69 Part 1	176°F/80°C
42025	Fine filter	Pleated	Polyester	19.4 /1.8	IEC EN 60335-2-69 Part 1	176°F/80°C

DC 3800a/c, DC 3800c Turbo, DC 3800 Turbo EX, DC 3800c Twin DC 3800 TR S, DC 3800i, DC 3800 Stationary

Part No.	Description	Construction	Material	Area ft ² /m ²	Classification	Max temp
42026	Fine filter	Pleated around support cylinder	Cellulose, epoxy-treated	19.4 /1.8	IEC EN 60335-2-69 Part 1	176°F/80°C
42026ST	Fine filter x 24		Cellulose			
42025	Fine filter	Pleated	Polyester	19.4 /1.8	IEC EN 60335-2-69 Part 1	176°F/80°C
42025ST	Fine filter x 24		Polyester			
42465	Fine filter, PTFE	Pleated around support cylinder	Polyester, PTFE	19.4 /1.8	IEC EN 60335-2-69 Part 1	176°F/80°C
42024	HEPA filter	Pleated	Cellulose, fibreglass	16.2 /1.5	HEPA H13	176°F/80°C
42398	Fine filter, grounded	Pleated around support cylinder	Polyester	19.4 /1.8	IEC EN 60335-2-69 Part 1	176°F/80°C

DC 3500, DC 3500 TR, DC 3500 Stationary, DC 5500, DC 5500i

Part No.	Description	Construction	Material	Area ft ² /m ²	Classification	Max temp
408801	Fine filter	Pleated	Polyester	17 /1.6	IEC EN 60335-2-69 Part 1	176°F/80°C
408803	Fine filter	Pleated	Cellulose	17 /1.6	IEC EN 60335-2-69 Part 1	176°F/80°C
4821	HEPA filter, DC 3500 TR	Pleated	Cellulose, fibreglass	16.2 /1.5	HEPA H13	158°F /70°C
4366	HEPA filter, DC 3500 (installed on exhaust)	Pleated around support cylinder	Cellulose, fibreglass	12.9 /1.2	HEPA H13	176°F/80°C
4422	HEPA filter, DC 5500 5 kW, 9.2 kW S (installed under top cover)	Pleated around support cylinder	Cellulose, fibreglass	26.9 /2.5	HEPA H13	176°F/80°C
4017	HEPA filter, DC 5500 9.2 kW P (installed on exhaust)	Pleated	Cellulose, fibreglass	30 /2.8	HEPA H13	176°F/80°C

DC 3500i, DC 5700c, DC 5800 a/c 5 kW, DC 5800 a/c PTFE

Part No.	Description	Construction	Material	Area ft ² /m ²	Classification	Max temp
4917	Combi-filter DC 3500i (Fine filter + HEPA H13 filter)	Pleated	Cellulose, fibreglass	16.2 /1.5	HEPA H13	176°F/80°C
4422	HEPA filter, DC 5700 5 kW, 9.2 kW S (installed under top cover)	Pleated around support cylinder	Cellulose, fibreglass	26.9 /2.5	HEPA H13	176°F/80°C
4017	HEPA filter, DC 5700 9.2 kW P (installed on exhaust)	Pleated	Cellulose, fibreglass	30 /2.8	HEPA H13	176°F/80°C

Air Cleaners DC 380/DC 1500/DC AirCube

Part No.	Description	Construction	Material	Area ft ² /m ²	Classification	Max temp
4080	Pre-filter, DC 380/DC AirCube	Carpet	Polyester	1 /0.1	IEC EN 60335-2-69 Part 1	212°F /100°C
4669	Pre-filter, DC 1500	Carpet	Polyester	3.2 /0.3	IEC EN 60335-2-69 Part 1	212°F /100°C
42136	HEPA filter, DC AirCube	Pleated HEPA filter box	Fibreglass	55.9/5.2	EN 1822-1, HEPA H13	176°F/80°C

Sacks

Machine	Standard	Antistatic/ESD	Volume (gal/litre)	Size (in/mm)
DC 1800	42291*	42951****	4 /15	21.7"x21.7" /550 x 550
DC 2900c	42702*		5 /20	17"x 21.7" /440 x 550
DC 2800H Asbestos	42285****	42384****	10.5 /40	14"x27.5" /360 x 700
DC 3800 H Asbestos	42285****	42384****	10.5 /40	14"x27.5" /360 x 700
DC 3900c	43619*	42384****	10.5 /40	19.7"x33.5" /500 x 850
DC 3900L	432177 Longopac**		-	65ft /20 m
DC 3900c Twin	43619*	42384****	10.5 /40	19.7"x33.5" /500 x 850
DC 3900L Twin	432177 Longopac**		-	65ft /20 m
DC 3900L Twin	43619*	42384****	10.5 /40	19.7"x33.5" /500 x 850
DC 3900c Turbo	43619*	42384****	10.5 /40	19.7"x33.5" /500 x 850
DC 3900c Twin Turbo	43619*	42384****	10.5 /40	19.7"x33.5" /500 x 850
DC TROMB 400 c	43619*	42384****	10.5 /40	19.7"x33.5" /500 x 850
DC TROMB 400 L	432177 Longopac**		-	65ft /20 m
DC 3800 Wood Shavings Extractor	4714***		23 /90	27.5"x43.3" /700 x 1100
DC 4000 PCB	42285****		5 /20	14"x27.5" /360 x 700
DC 5900 c	46145*		15.5 /60	25.2"x39.4" /640 x 1000
DC 5900 L	432177 Longopac**		-	65ft /20 m
Filter bag, Wet-Vac				
DC 50W	42190			
DC 75W	42190			
Pre-Separators				
DC F 8000c	46145*		15.5 /60	25.2"x39.4" /640 x 1000
DC F 8000L	432177 Longopac**		-	65ft /20 m
DC F 2800c	42702*		5 /20	17"x 21.7" /440 x 550
DC F 3900c	43619*		10.5 /40	19.7"x33.5" /500 x 850
DC F 3900L	432177 Longopac**		-	65ft /20 m

* Sacks are sold in packs of 10 ** Sacks are sold in packs of 4 *** Sackss are sold in packs of 50 **** Sacks are sold individually



Would you like to know more about our products?

You can either contact our customer service department for personal service or visit our web site.

USA

Dustcontrol Inc
6720 Amsterdam Way
Wilmington • NC 28405
Telephone: 001(0)910 395 18 08
sales@dustcontrolusa.com
www.dustcontrol.us

Global

Dustcontrol AB
Box 3088 • Kumla Gärdsväg 14
145 03 Norsborg
Telephone: 0046(0)8 531 940 00
support@dustcontrol.se
www.dustcontrol.com

CANADA

Dustcontrol Canada Inc.
664 Welham Road
CA-Barrie, Ontario L4N 9A1
Telephone: +1 877 844 8784
info@dustcontrol.ca
www.dustcontrol.ca

For contact with one of our distributor,
please take a look on page 3.



Dustcontrol's Environmental and Quality Policy

As an environmental company, we have a special responsibility as to how our products and services affect the environment – the external environment, our own working environment and that of our customers. We want to take responsibility for the environment as a whole. We therefore strive to comply with current environmental legislation and to constantly improve our own environmental work.

It is our responsibility to ensure that all employees are well qualified in environmental issues. We work to identify environmentally friendly modes of transport and company vehicles, and we minimize and separate at source the quantity of waste that arises in conjunction with manufacturing.

We monitor our entire production cycle, and we endeavor to make continuous improvements by finding environmentally friendly alternatives wherever possible. This can include anything from the use of environmentally friendly containers and packaging, to ensuring that our waste sacks are biodegradable. We use a method of powder coating that is free from solvents and minimizes waste.

We adhere closely to the EU Reach and RoHS directives in order to reduce our use of chemicals to a minimum. We source only locally produced products for use in our manufacturing operation, in order to minimize freight costs and reduce CO2 emissions. We operate with Lean Production so as to achieve the best possible process flow, with efficient utilization of resources and reduced lead times.

Our quality should meet the requirements of our customers. This applies equally to product quality, delivery reliability and service. Our customers should feel that we listen to their feedback in our ongoing efforts to improve our management system

We update our management system continuously, and we are certified according to ISO14001:2004 and ISO9001:2008.

“Technology for Healthy Business”, is an approach that permeates our entire operation. For us at Dustcontrol, this means: sustainability, financial stability, efficient and effective solutions, physical health and a safe working environment.



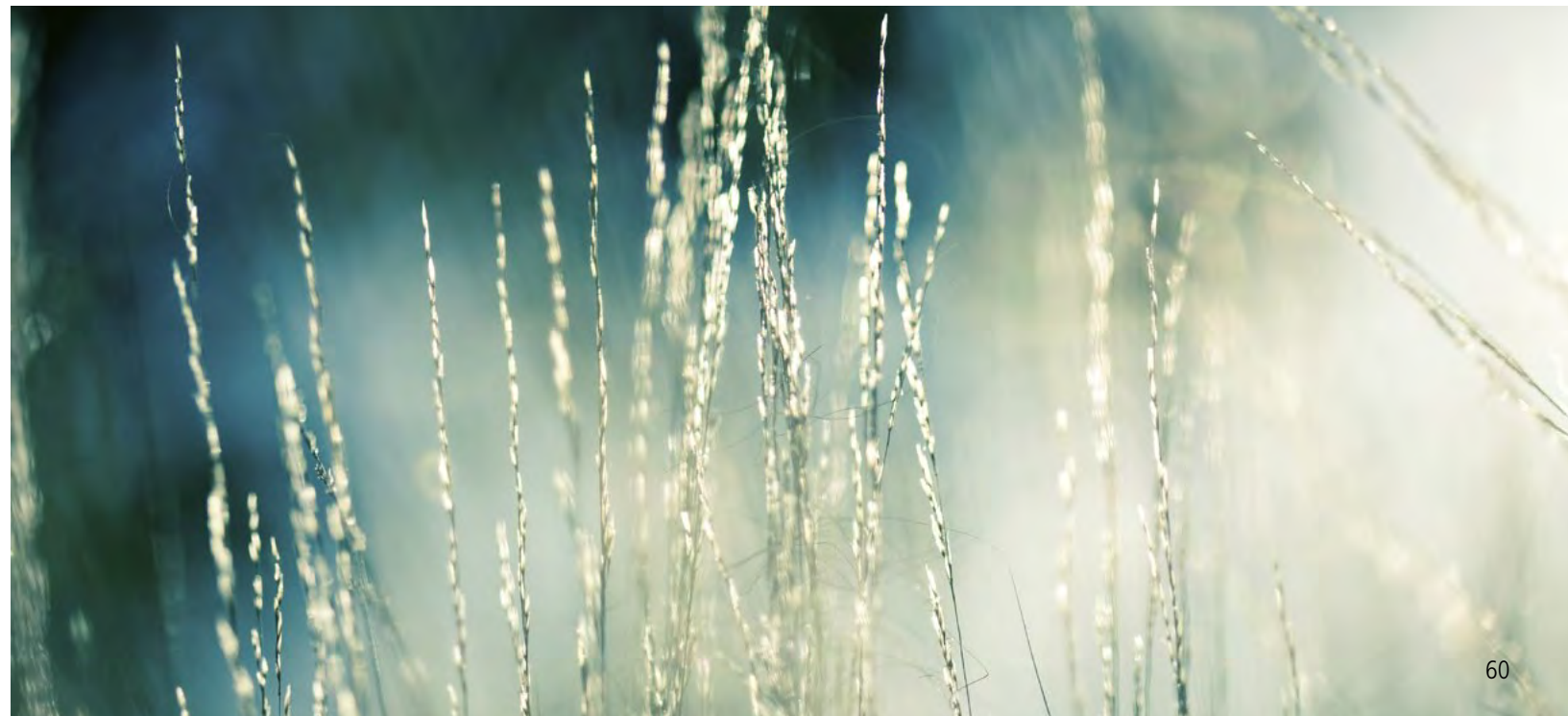
Which machine do you choose?

As a true professional, you place high requirements on your equipment. We from Dustcontrol have been involved with air cleaning for more than 40 years, and we supply dust extractors and air cleaners for all types of job. No matter what you choose, you can be sure of getting a truly professional machine that is built with your work and your health in mind.



Coming soon!

There will be a QR code on all our mobile machines. Scan the code and you will be able to see videos on filter cleaning and how to replace filters and plastic sacks. You can download your QR-reader for your smart phone in your app store.



Dustcontrol - Healthy Business

Dustcontrol manufactures and customises dust extractors with very high levels of filtration. We offer a complete service package, including accessories and spare parts, so you can count on us to provide all the help you to focus on production. Our main goal is to help you increase your productivity and achieve a safer working environment.

The simple truth is that everything runs so much more smoothly when you avoid being interrupted or hampered by accumulations of dust and other materials. Not to mention the improved air quality that results from professional dust extraction.

Capture dust with source extraction and:

- Minimize the amount of airborne dust and improve health and safety.
- Save having to wait for the dust to settle and increase productivity.
- Reduce costs and time required for cleaning.
- Create a safer working environment with better visibility for the operator.
- Have customers who are more satisfied and less inconvenienced by ongoing work.
- Use fewer screens and partitions.
- Extend the service life of power tools, electronics and other equipment.

Dustcontrol Inc. 6720
Amsterdam Way
Wilmington
NC 28405, USA

Dustcontrol Canada Inc.
664 Welham Road
Barrie,
Ontario L4N 9A1 , Canada

Phone +1 910 395 1808
Fax +1 910 395 2110
sales@dustcontrolusa.com
www.dustcontrol.us

Telephone: +1 877 844 8784
info@dustcontrol.ca
www.dustcontrol.ca

